

ENCLOSURE MODEL: 1000TS-AL

JOB: ----



SAFE-T-COVER
BY HYDROCOWL

DRAWN BY: MTP

SCALE: NONE

DATE: 11/30/22

ENCLOSURES DESIGNED FOR THE WORLD'S WATER SYSTEMS™

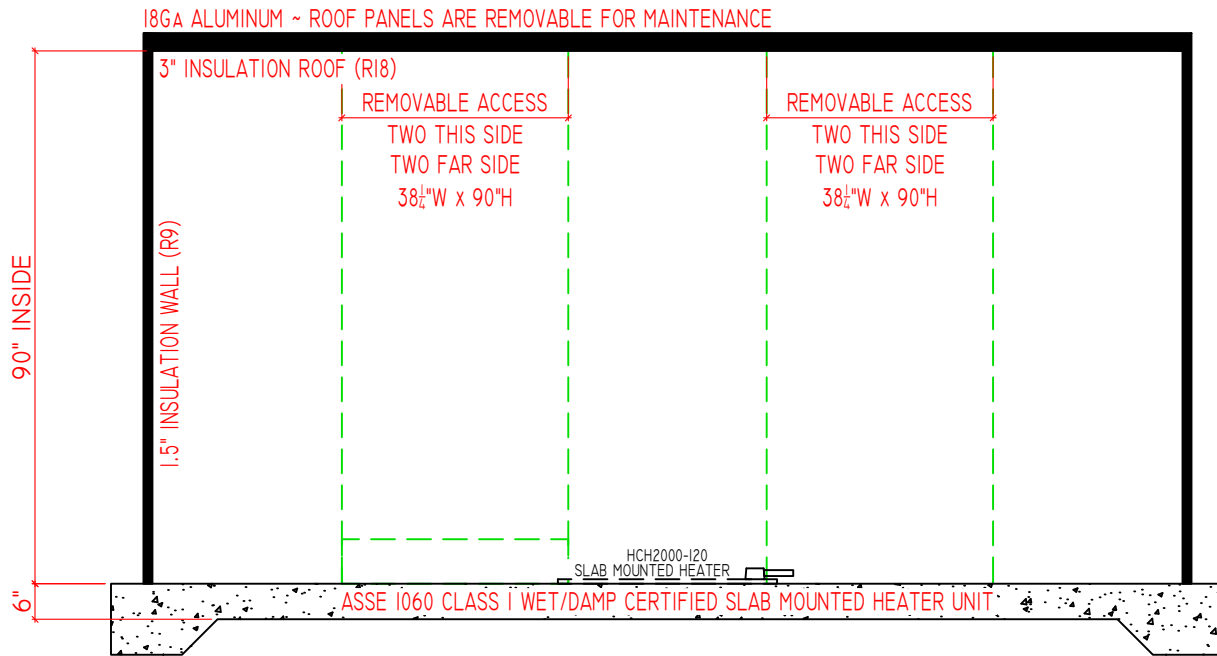
WEBSITE: SAFE-T-COVER.COM

EMAIL: SALES@SAFE-T-COVER.COM

PHONE: (800) 245-6333

FAX: (615) 259-4481

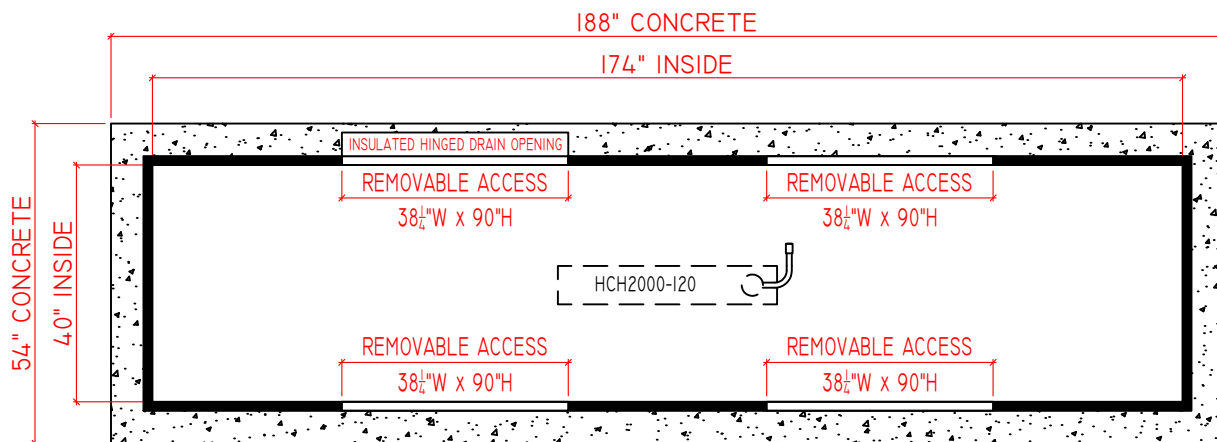
ELEVATION VIEW



1000TS-AL

SHEET 1 OF 1

PLAN VIEW



- 5. MODEL 1000TS-AL ENCLOSURE
- 6. ENCLOSURE INSIDE DIMENSIONS:
40"W x 174"L x 90"H
- 7. CONCRETE PAD IS 54"W x 188"L x 6"H

CONFIDENTIAL: THIS DRAWING IS INTENDED FOR USE ONLY BY THOSE AUTHORIZED TO RECEIVE IT. DISSEMINATION, DISTRIBUTION OR COPY OF THIS INFORMATION IS STRICTLY PROHIBITED. US PATENT 5,609,784

- 1. DRAWING NOT TO SCALE.
- 2. ALL DIMENSIONS ARE IN INCHES.
- 3. WALL INSULATION THICKNESS IS 1-1/2".
- 4. ROOF INSULATION THICKNESS IS 3".