

JOB:

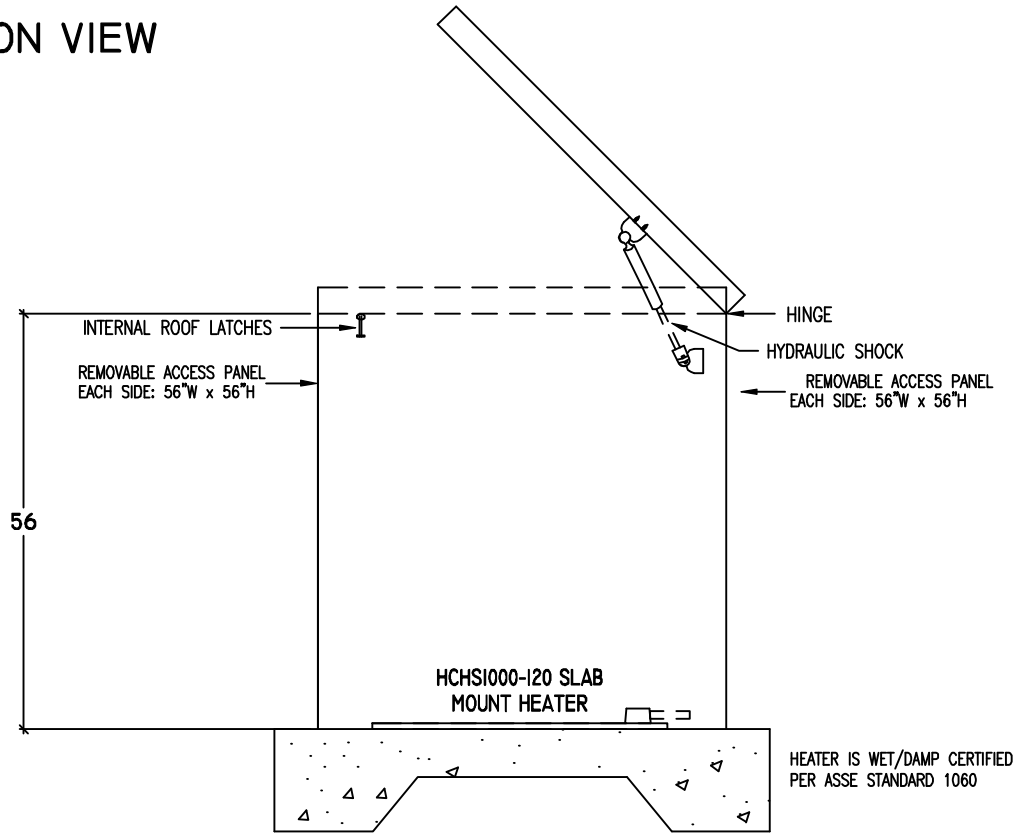
ENCLOSURES DESIGNED FOR THE WORLD'S WATER SYSTEMS™  
 WEBSITE: SAFE-T-COVER.COM    PHONE: (800) 245-8333  
 EMAIL: SALES@SAFE-T-COVER.COM    FAX: (615) 259-4481

DRAWN BY: GP

SCALE: NONE

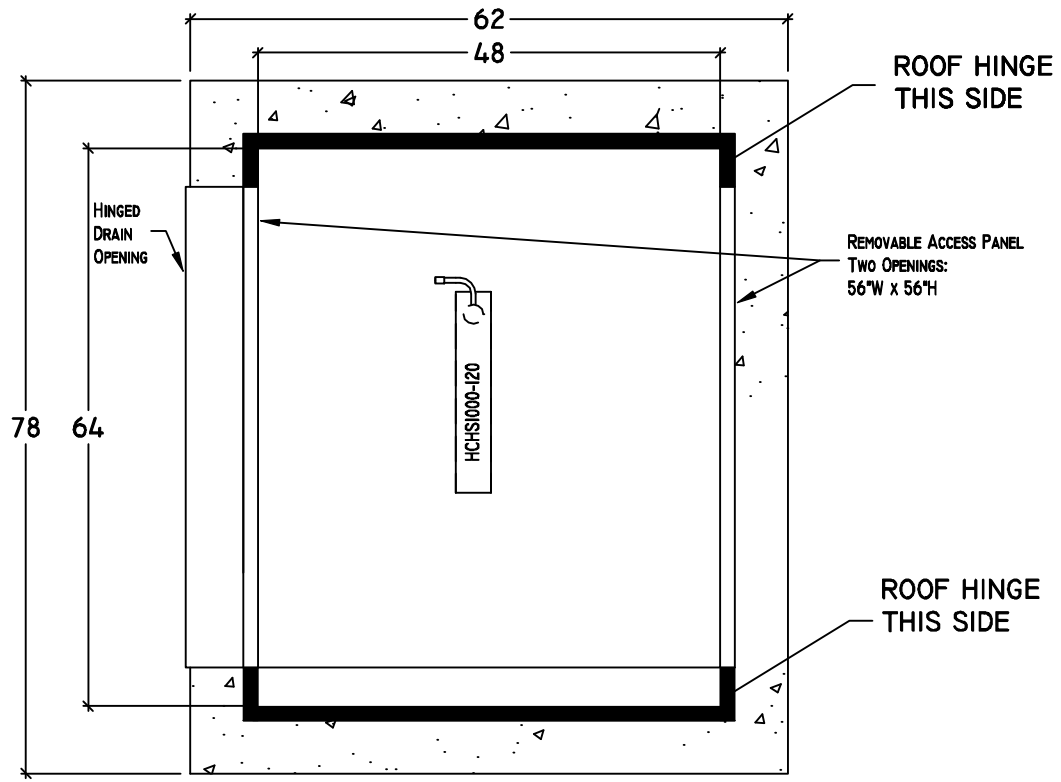
DATE: 08/08/20

ELEVATION VIEW



1000TLU880-AL  
 SHEET 1 OF 1

PLAN VIEW



- 5. MODEL 1000TLU880-AL ENCLOSURE
- 6. ENCLOSURE INSIDE DIMENSIONS:  
64"W X 48"L X 56"H
- 7. CONCRETE PAD IS 78"W X 62"L X 6"H

- 1. DRAWING NOT TO SCALE.
- 2. ALL DIMENSIONS ARE IN INCHES.
- 3. WALL AND INSULATION THICKNESS IS 1-1/2".
- 4. ROOF AND INSULATION THICKNESS IS 3".