

JOB: ----

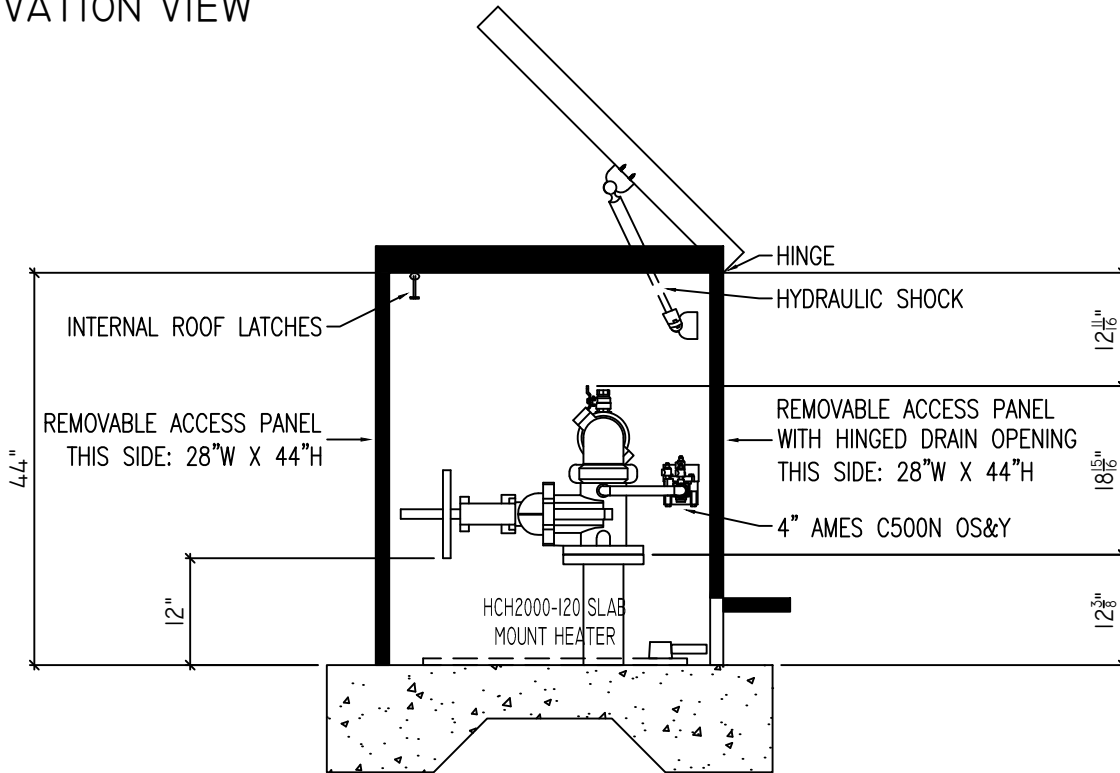


DRAWN BY: MTP

SCALE: NONE

DATE: 12/15/11

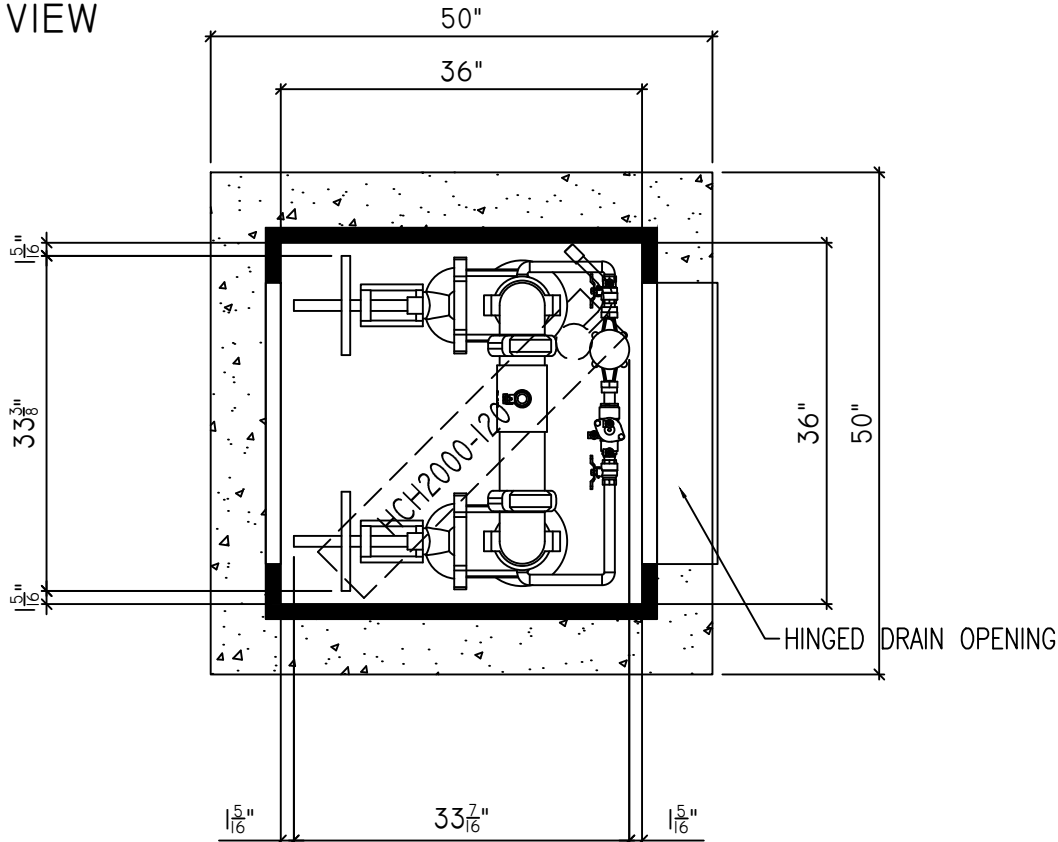
ELEVATION VIEW



4AMC500N-OSY12.DWG

SHEET 1 OF 1

PLAN VIEW



6. MODEL 400TLU880-AL ENCLOSURE

7. ENCLOSURE INSIDE DIMENSIONS:

36"W X 36"L X 44"H

8. CONCRETE PAD IS 50"W X 50"L

9. BFP - 4" AMES C500N OS&Y

1. DRAWING NOT TO SCALE.

2. BFP DIMENSIONS FURNISHED BY

3. ALL DIMENSIONS ARE IN INCHES. (GASKETS INCLUDED)

4. WALL AND INSULATION THICKNESS IS 1-1/2".

5. ROOF AND INSULATION THICKNESS IS 3".