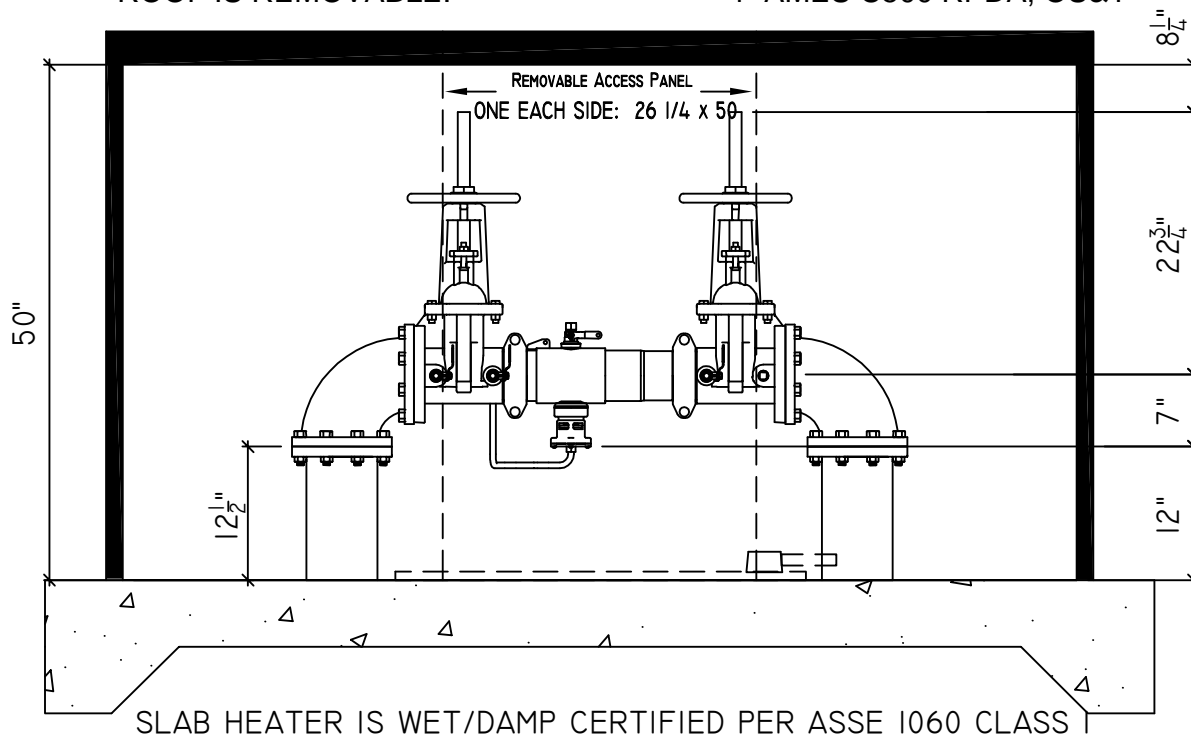




**ELEVATION VIEW**  
ROOF IS REMOVABLE.

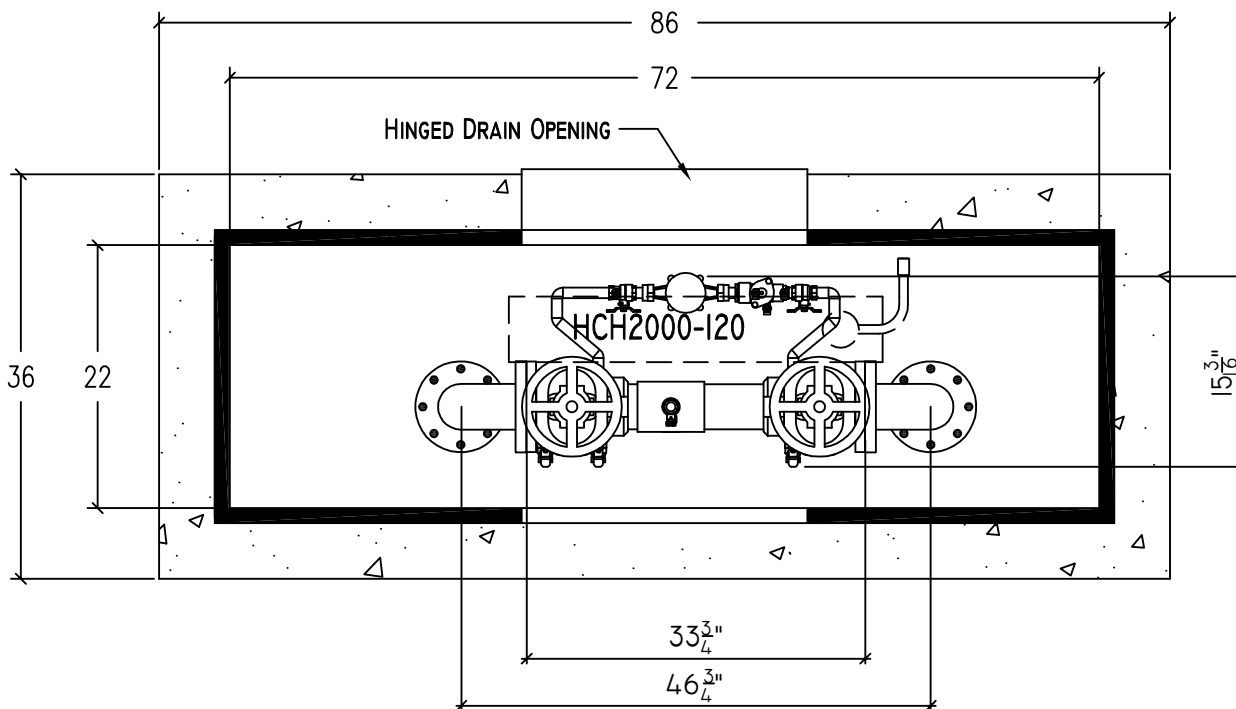
4" WATTS 957RPDA, OS&Y  
4" AMES C500 RPDA, OS&Y



4WA957RPDA-OSY12

SHEET 1 OF 1

**PLAN VIEW**



- 6. MODEL 300T-AL
- 7. ENCLOSURE INSIDE DIMENSIONS:  
22"W X 72"L X 50"H
- 8. CONCRETE PAD IS 36"W X 86"L
- 9. BFP - 4" WATTS 957RPDA OR 4" AMES CR00 RPDA OSY

- 1. DRAWING NOT TO SCALE.
- 2. BFP DIMENSIONS FURNISHED BY
- 3. ALL DIMENSIONS ARE IN INCHES. (GASKETS INCLUDED)
- 4. WALL AND INSULATION THICKNESS IS 1-1/2".
- 5. ROOF AND INSULATION THICKNESS IS 3".