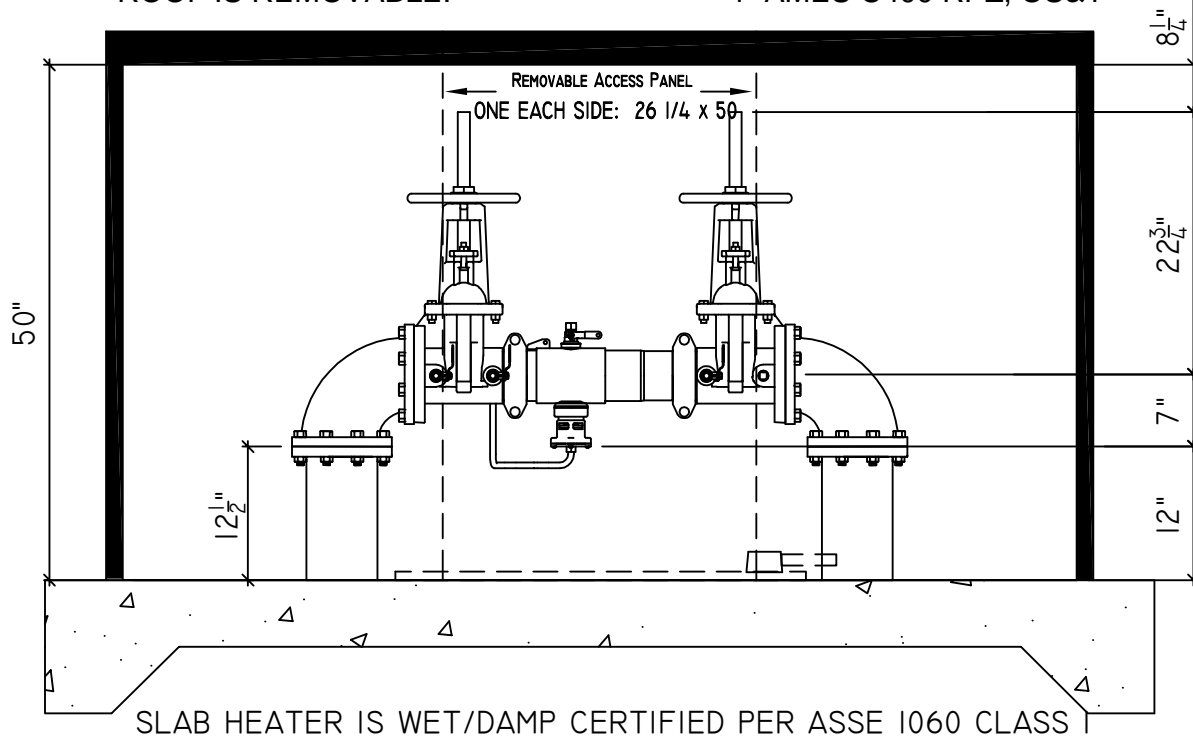




**ELEVATION VIEW**

ROOF IS REMOVABLE.

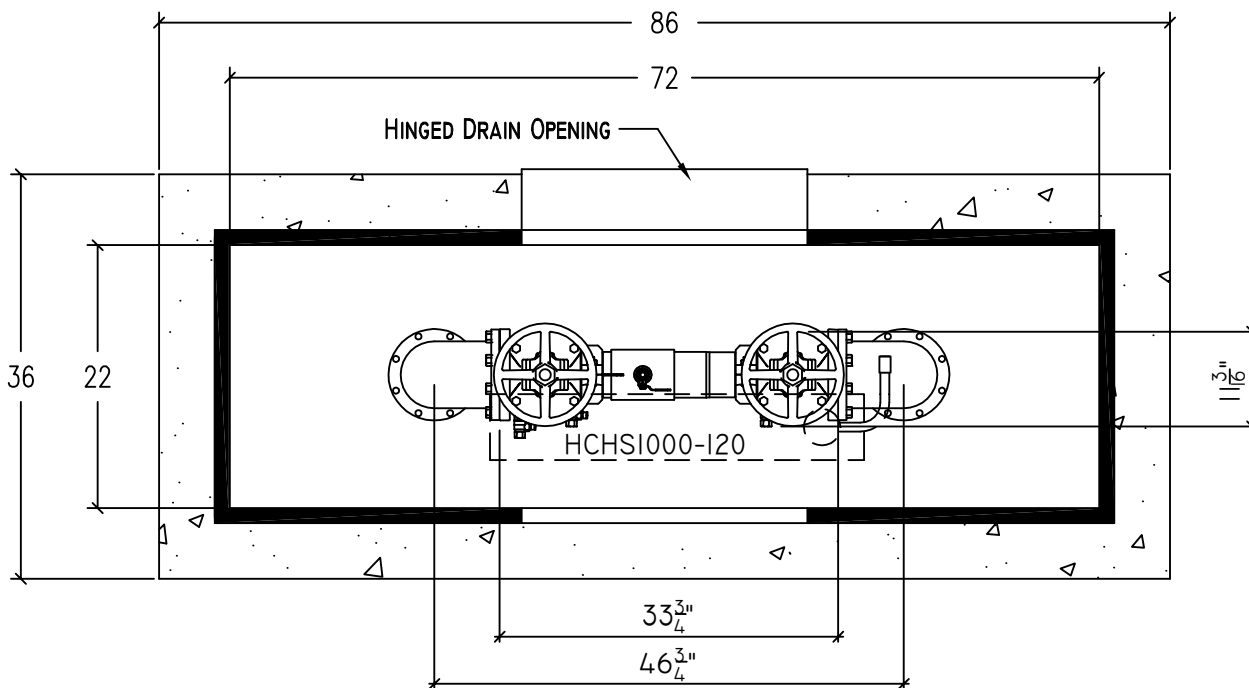
4" AMES C400 RPZ, OS&Y



4AMC400-OSY12

SHEET 1 OF 1

**PLAN VIEW**



6. MODEL 300T-AL

7. ENCLOSURE INSIDE DIMENSIONS: 22"W X 72"L X 50"H

8. CONCRETE PAD IS 36"W X 86"L

9. BFP - 4" AMES C400 RPZ OSY

1. DRAWING NOT TO SCALE.

2. BFP DIMENSIONS FURNISHED BY

3. ALL DIMENSIONS ARE IN INCHES. (GASKETS INCLUDED)

4. WALL AND INSULATION THICKNESS IS 1-1/2".

5. ROOF AND INSULATION THICKNESS IS 3".