

ENCLOSURE MODEL: 300-AL

JOB: ----



**SAFE-T-COVER**  
BY HYDROCOWL

ENCLOSURES DESIGNED FOR THE WORLD'S WATER SYSTEMS™

WEBSITE: SAFE-T-COVER.COM  
EMAIL: SALES@SAFE-T-COVER.COM

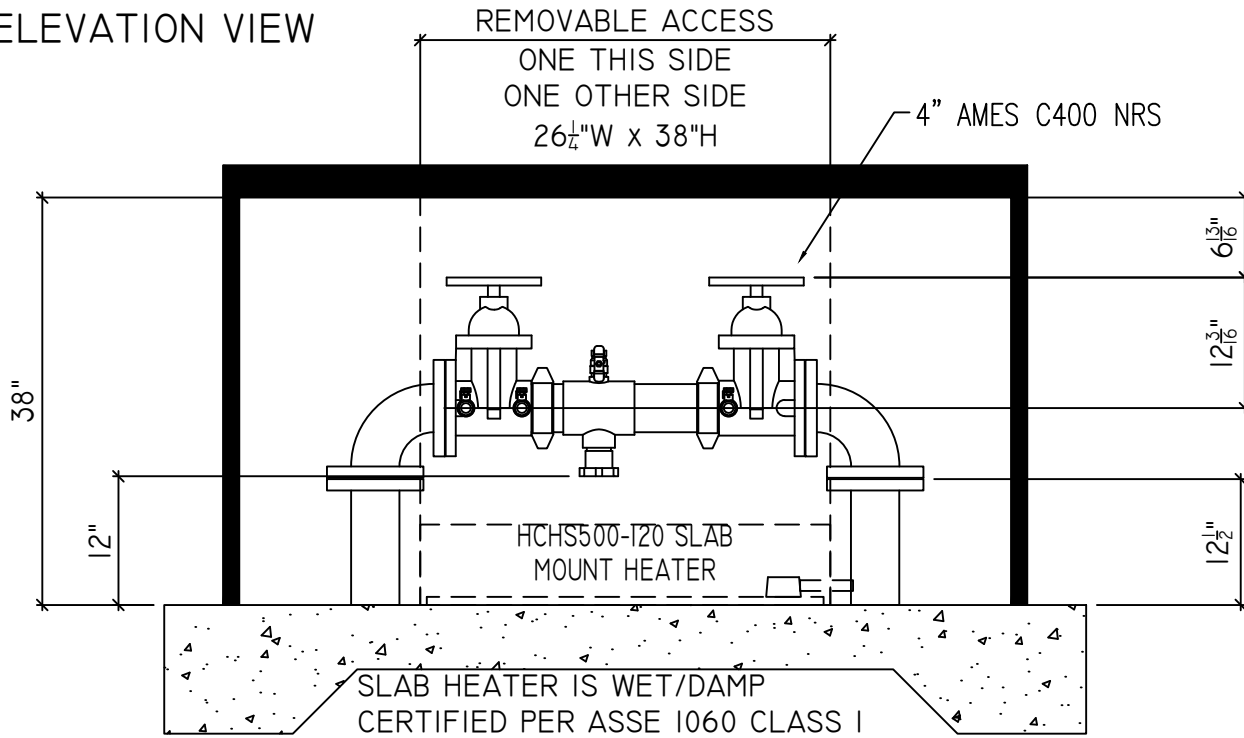
PHONE: (800) 245-6333  
FAX: (615) 259-4481

DRAWN BY: MTP

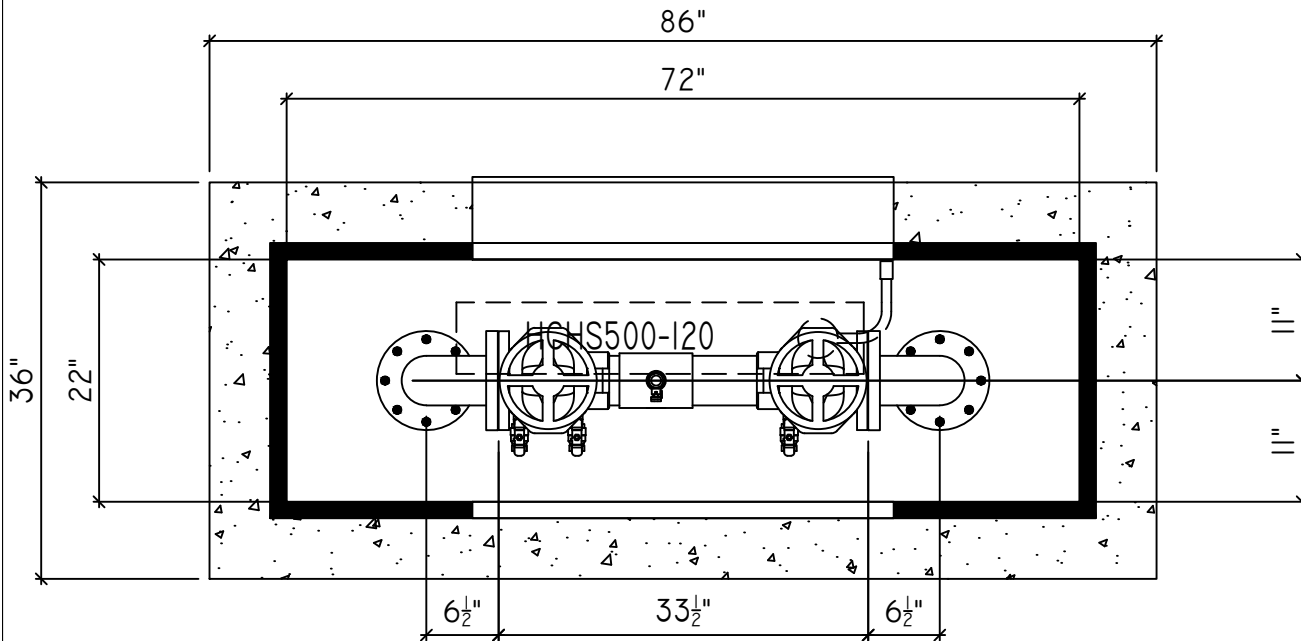
SCALE: NONE

DATE: 1/4/20

### ELEVATION VIEW



### PLAN VIEW



4AMC400-NRS12

SHEET 1 OF 1

- 6. MODEL 300-AL ENCLOSURE
- 7. ENCLOSURE INSIDE DIMENSIONS: 22"W X 72"L X 38"H
- 8. CONCRETE PAD IS 36"W X 86"L
- 9. BFP - 4" AMES C400 NRS

CONFIDENTIAL: THIS DRAWING IS INTENDED FOR USE ONLY BY THOSE AUTHORIZED TO RECEIVE IT. DISSEMINATION, DISTRIBUTION OR COPY OF THIS INFORMATION IS STRICTLY PROHIBITED. US PATENT 5,609,784