

ENCLOSURE MODEL: 400-AL

WWW.SAFE-T-COVER.COM

JOB: ----

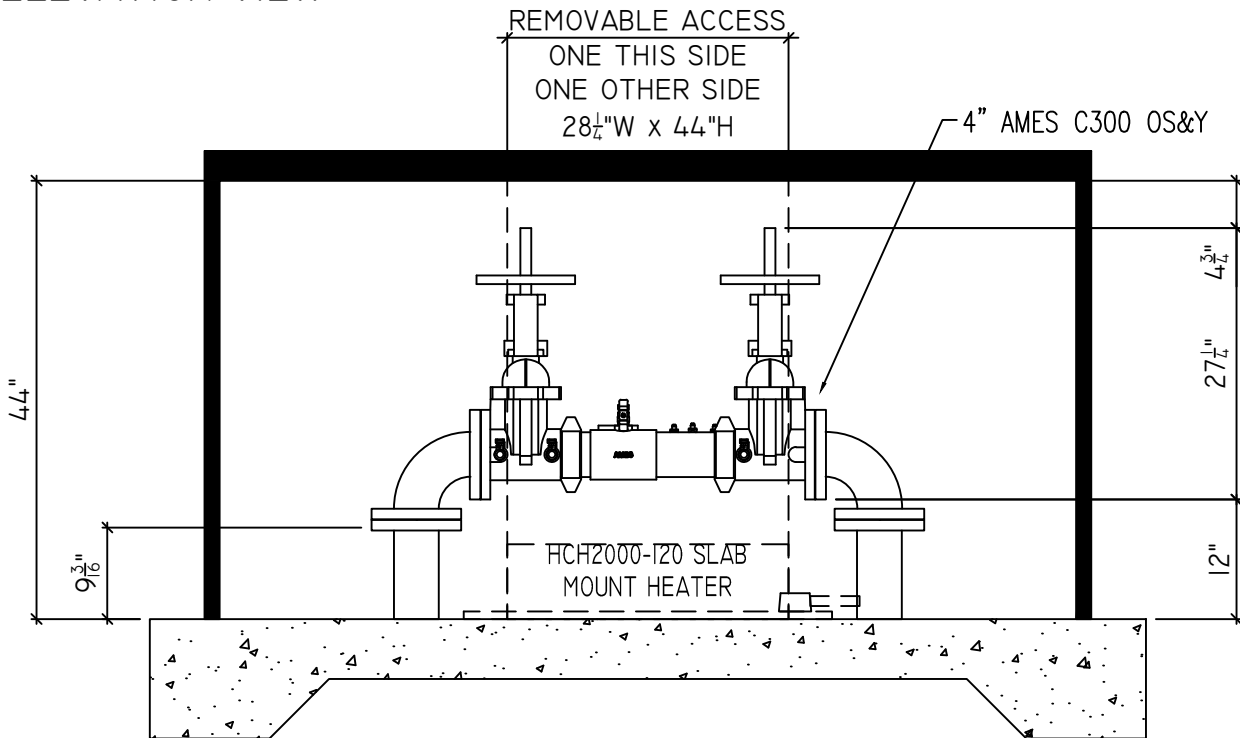


DRAWN BY: MTP

SCALE: NONE

DATE: 12/14/11

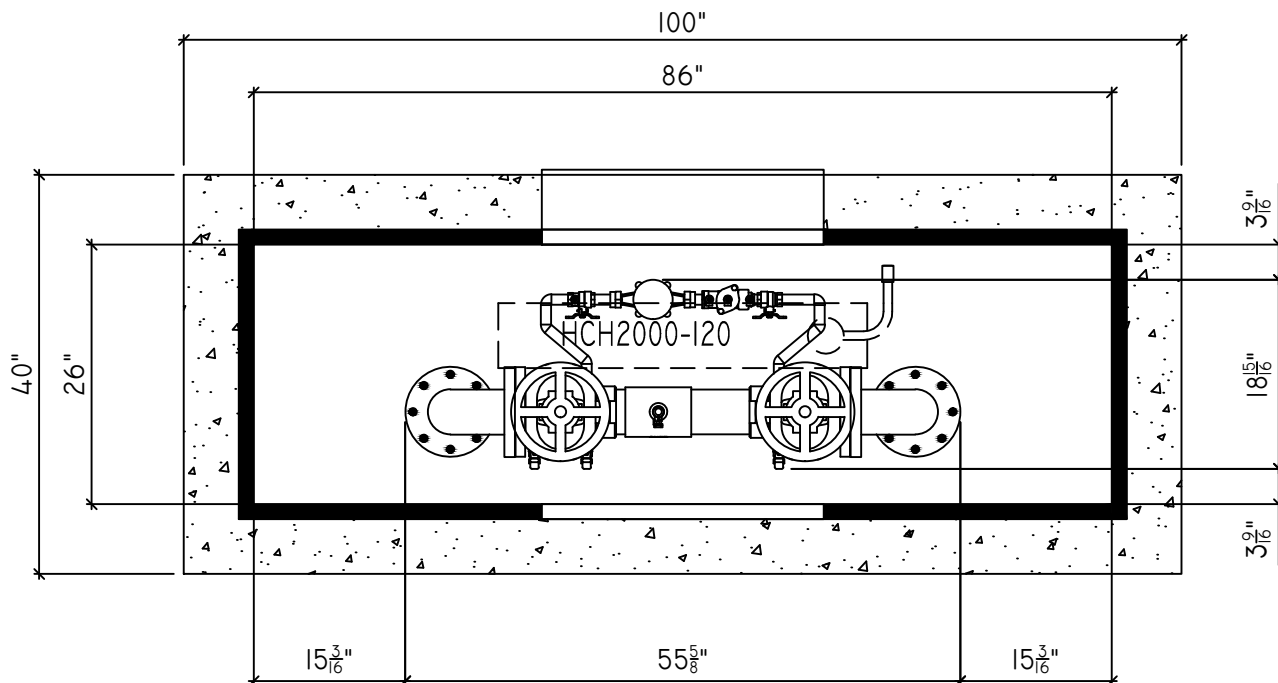
ELEVATION VIEW



4AMC300-OSY12.DWG

SHEET 1 OF 1

PLAN VIEW



6. MODEL 400-AL ENCLOSURE

7. ENCLOSURE INSIDE DIMENSIONS:

26"W X 86"L X 44"H

8. CONCRETE PAD IS 40"W X 100"L

9. BFP - 4" AMES C300 OS&Y

1. DRAWING NOT TO SCALE.

2. BFP DIMENSIONS FURNISHED BY

3. ALL DIMENSIONS ARE IN INCHES. (GASKETS INCLUDED)

4. WALL AND INSULATION THICKNESS IS 1-1/2".

5. ROOF AND INSULATION THICKNESS IS 3".

CONFIDENTIAL: THIS DRAWING IS INTENDED FOR USE ONLY BY THOSE AUTHORIZED TO RECEIVE IT. DISSEMINATION, DISTRIBUTION OR COPY OF THIS INFORMATION IS STRICTLY PROHIBITED. US PATENT 5,609,784