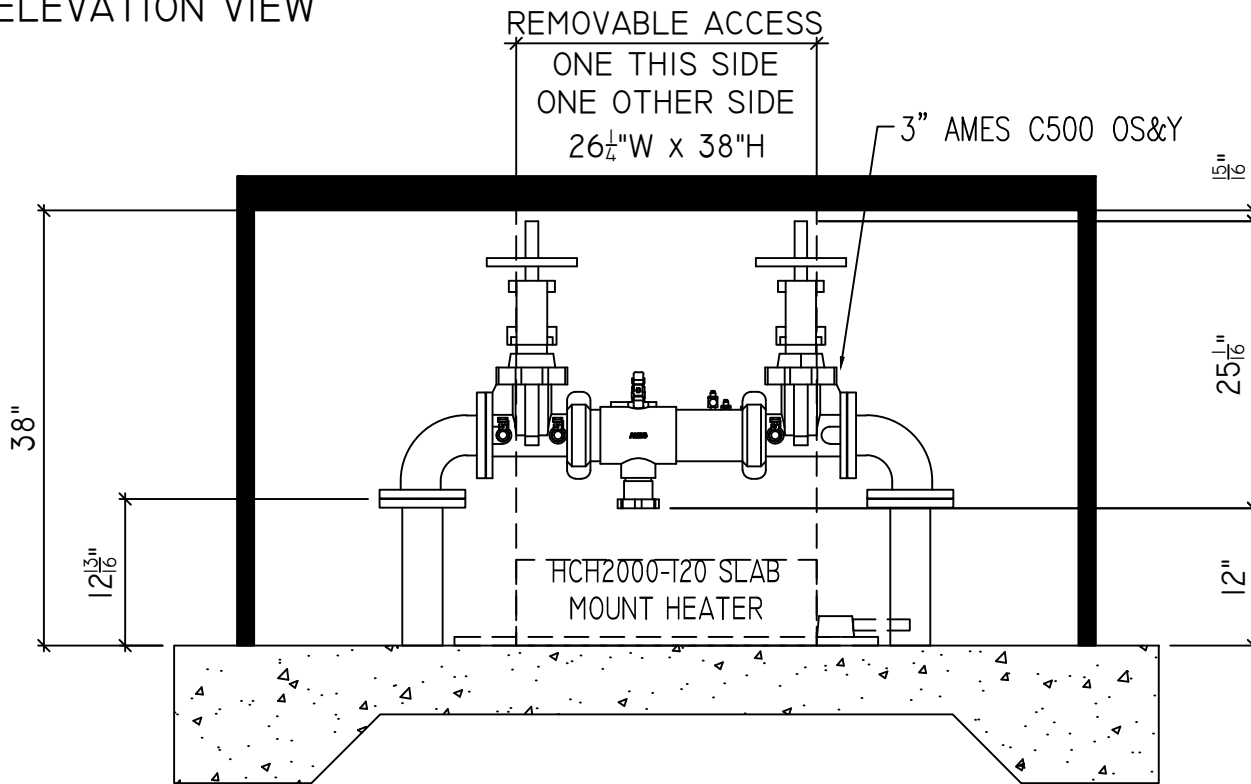
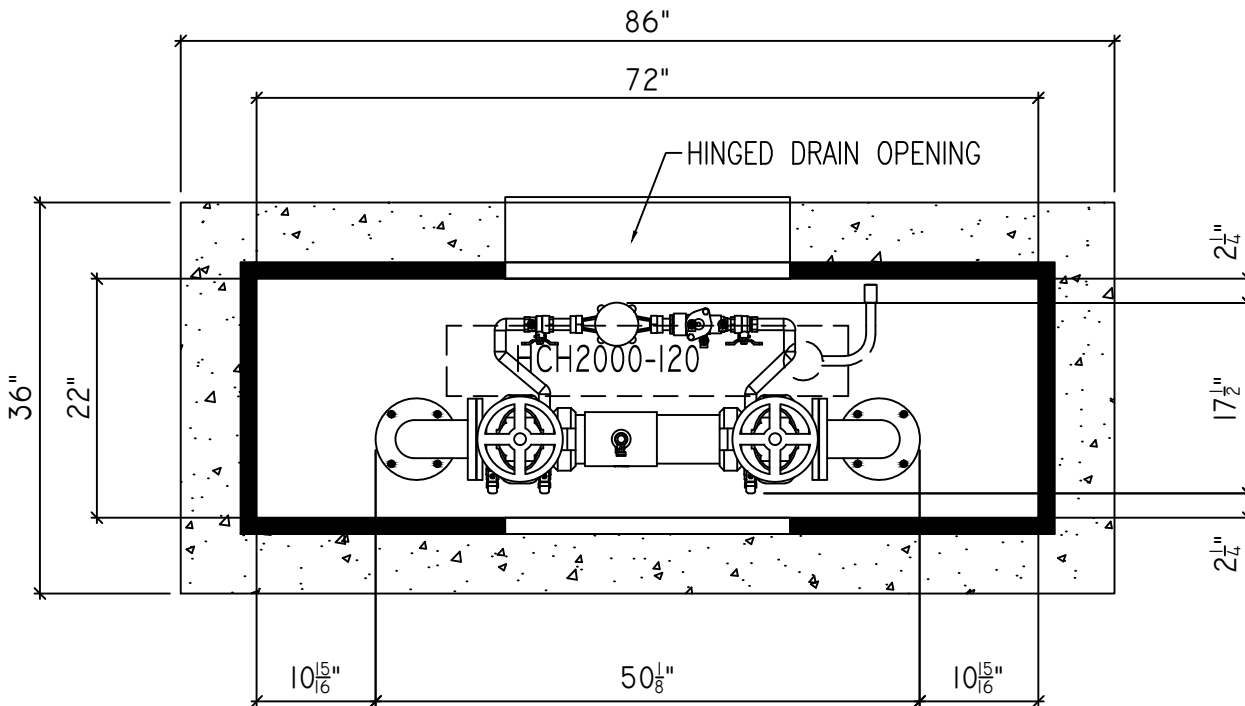




ELEVATION VIEW



PLAN VIEW



3AMC500-OSY12.DWG

SHEET 1 OF 1

6. MODEL 300-AL ENCLOSURE

7. ENCLOSURE INSIDE DIMENSIONS:

22"W X 72"L X 38"H

8. CONCRETE PAD IS 36"W X 86"L

9. BFP - 3" AMES C500 OS&Y

1. DRAWING NOT TO SCALE.

2. BFP DIMENSIONS FURNISHED BY

3. ALL DIMENSIONS ARE IN INCHES. (GASKETS INCLUDED)

4. WALL AND INSULATION THICKNESS IS 1-1/2".

5. ROOF AND INSULATION THICKNESS IS 3".