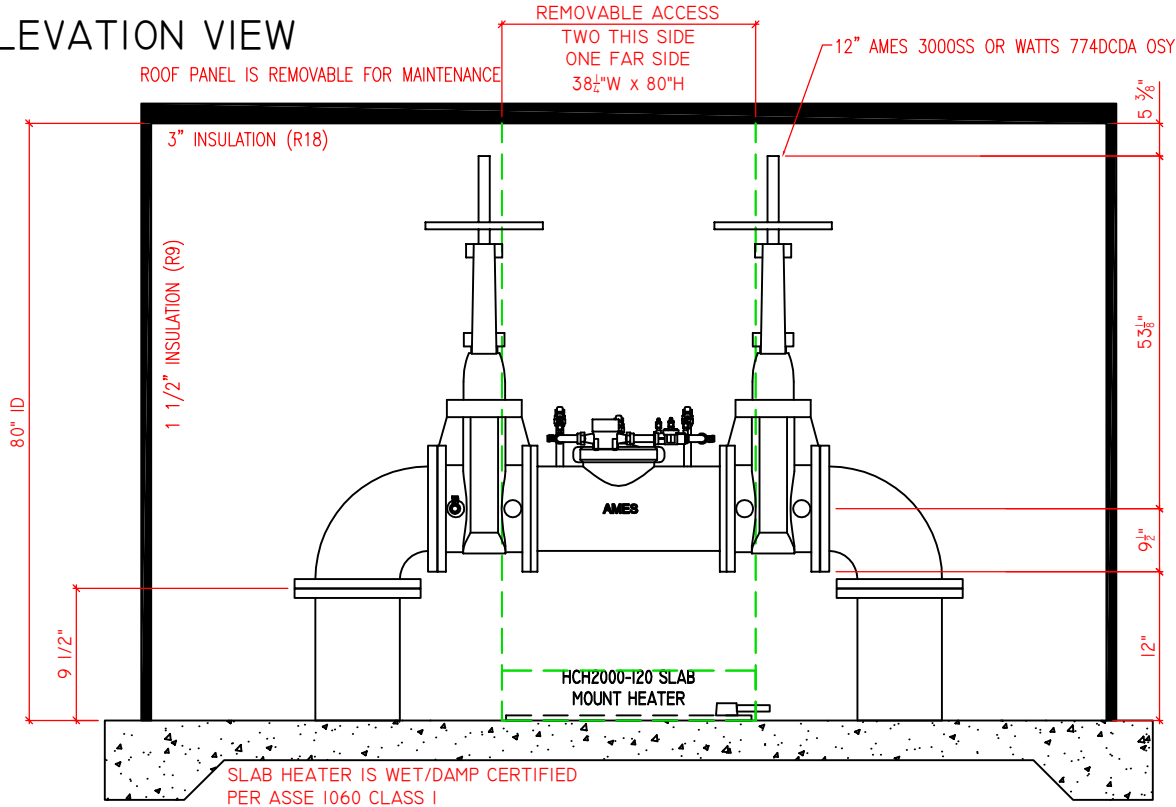


DRAWN BY: GP

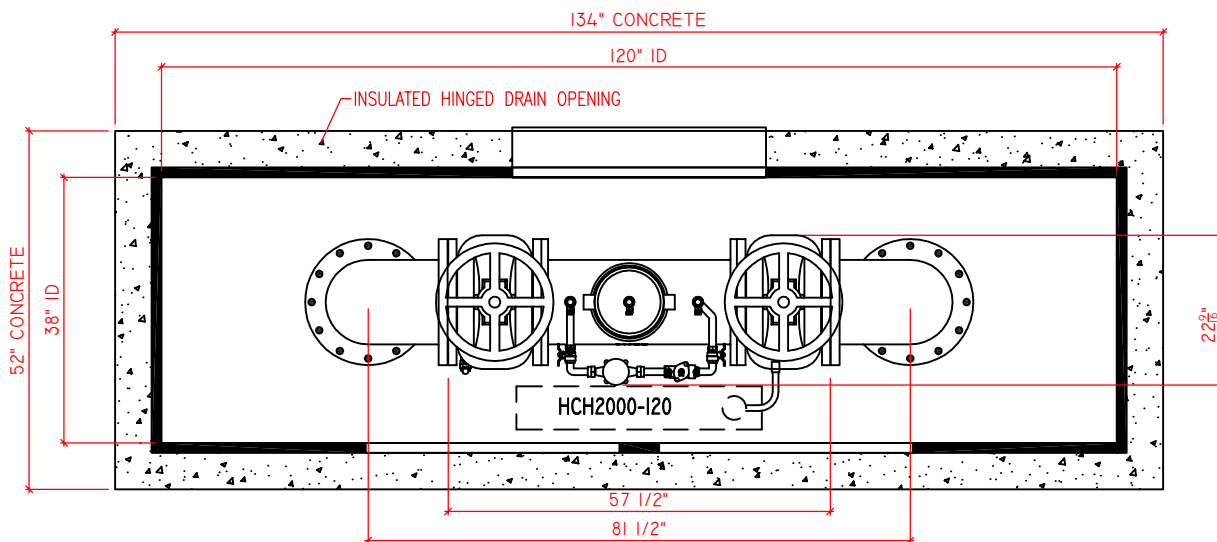
SCALE: NONE

DATE: 5/13/20

ELEVATION VIEW



PLAN VIEW



6. MODEL 800T-AL ENCLOSURE

7. ENCLOSURE INSIDE DIMENSIONS:

38"W X 120"L X 80"H

8. CONCRETE PAD IS 52"W X 134"L

9. BFP - 12" AMES 3000SS OR WATTS 774DCDA

1. DRAWING NOT TO SCALE.

2. BFP DIMENSIONS FURNISHED BY

3. ALL DIMENSIONS ARE IN INCHES. (GASKETS INCLUDED)

4. WALL AND INSULATION THICKNESS IS 1-1/2".

5. ROOF AND INSULATION THICKNESS IS 3".

SHEET 1 OF 1