

JOB: ----

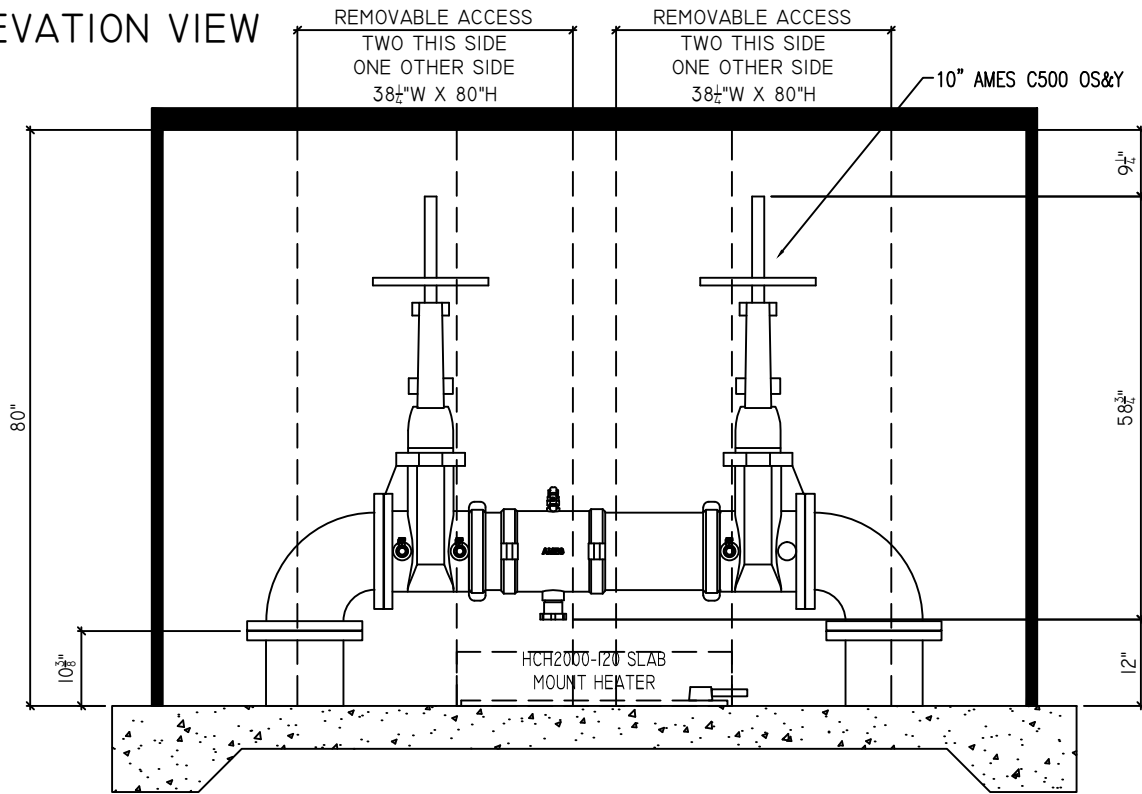


DRAWN BY: MTP

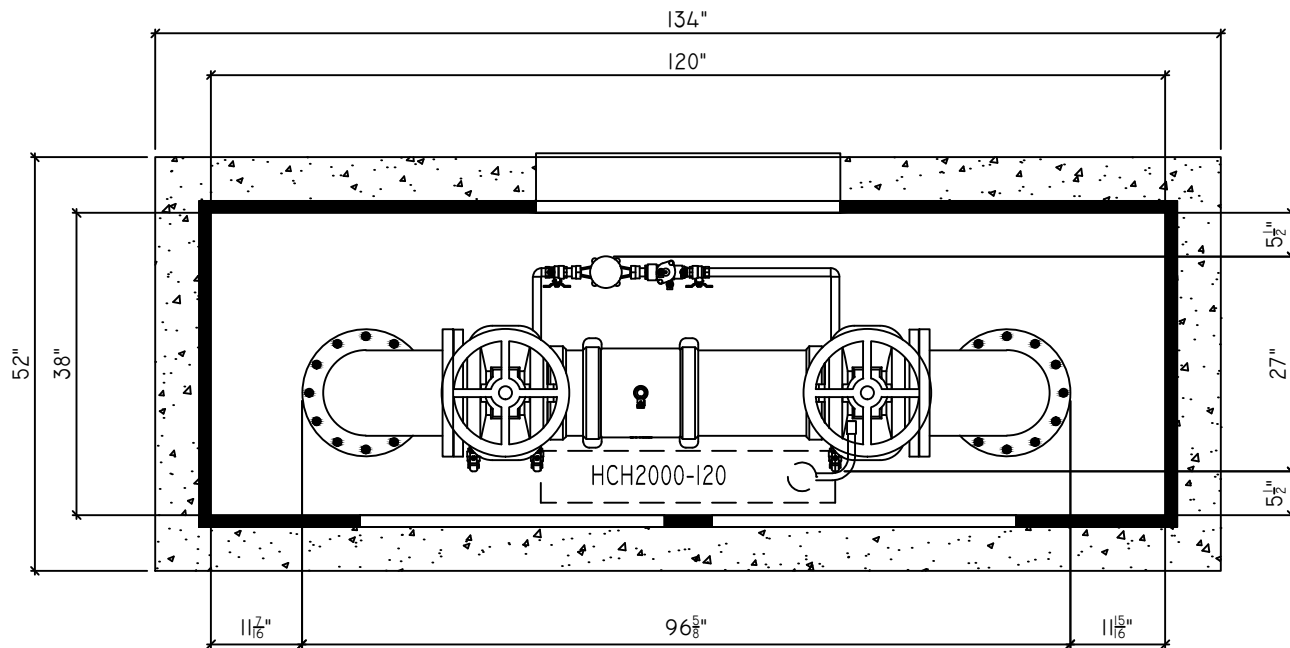
SCALE: NONE

DATE: 12/15/11

ELEVATION VIEW



PLAN VIEW



10AMC500-OSY12.DWG

SHEET 1 OF 1

- 6. MODEL 800T-AL ENCLOSURE
- 7. ENCLOSURE INSIDE DIMENSIONS:  
38"W X 120"L X 80"H
- 8. CONCRETE PAD IS 52"W X 134"L
- 9. BFP - 10" AMES C500 OS&Y

CONFIDENTIAL: THIS DRAWING IS INTENDED FOR USE ONLY BY THOSE AUTHORIZED TO RECEIVE IT.  
DISSEMINATION, DISTRIBUTION OR COPY OF THIS INFORMATION IS STRICTLY PROHIBITED. US PATENT 5,609,784