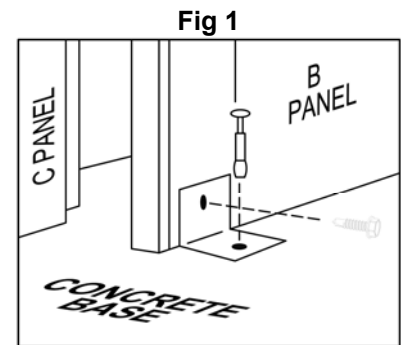
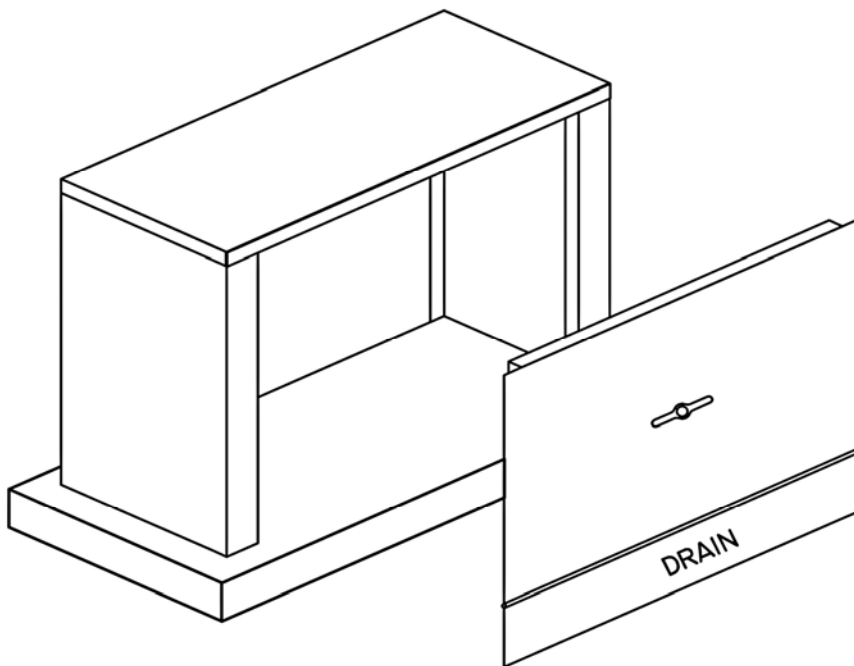




ENCLOSURES DESIGNED FOR THE WORLD'S WATER SYSTEMS™

ASSEMBLY INSTRUCTIONS – PLEASE READ CAREFULLY

Model No.	Inside Dimensions	Outside Dimensions	Concrete Pad Dimensions
75SN-AL	9" X 26" X 25"	12" X 29" X 28"	16" X 33" X 4" Thick
100SN-AL	14" X 40" X 30"	17" X 43" X 33"	21" X 47" X 4" Thick
100SNT-AL	15" X 32" X 38"	18" X 35" X 41"	22" X 39" X 4" Thick
200SN-AL	19" X 46" X 38"	22" X 49" X 41"	26" X 53" X 4" Thick
300SN-AL	24" X 60" X 44½"	27" X 63" X 47½"	38" X 74" X 6" Thick
400SN-AL	27" X 78" X 57"	30" X 81" X 60"	41" X 92" X 6" Thick



1. **Do not remove the PVC masking film** until the enclosure is fully assembled. The PVC masking film will protect the finish of the metal panels during installation.
2. The concrete base should be 4" thick for models 75SN through 200SN. The concrete base should be 6" thick for models for models 300SN and 400SN. The concrete base should be 14" longer than enclosure ID and 14" wider than enclosure ID. Please note that the concrete base should be level, or the access panel may be difficult to install.
3. Mark the concrete base for the outside of the enclosure using the dimensions in the table above.
4. Set enclosure on concrete pad using marks for placement.

5. **IMPORTANT!** Fasten each of the Inside Corner Aluminum Anchoring Brackets to side and end panels with hex head screws as shown in Fig. 1, then fasten to concrete base with anchors provided.
6. Place “C” (access) door panel and lock in place.
7. Access to the top of the enclosure can be accomplished by unlatching the inside roof latch.
8. For maximum protection it is suggested that the area between the bottom of the enclosure and the concrete base be caulked with the exception the “C” panel. **DO NOT CAULK THE BOTTOM OF THE “C” ACCESS DOOR PANEL.**
9. Provide ground-fault interrupter device in electrical circuit according to applicable codes. Install heater, if applicable, as per manufacturer’s instructions and governing local and national codes.
10. **REMOVE MASKING FILM IMMEDIATELY AFTER INSTALLATION.**
If these panels get wet when the film is still on, water will irreversibly stain the panels. Summertime heat will bake the film on the panels.

CONTENTS

1. Assembly parts included:

- A. SN series enclosure
- B. 1- “C” (drain door) Panel
- C. 4- Inside Aluminum Corner Anchoring Brackets
(5 for 400SN-AL)
- D. 4- Anchor Bolts
(5 for 400SN-AL)
- E. 1 Package of Hexhead Screws
- F. 1- Masonry Bit (1/2" x 4")
- G. 1- Magnetic Chuck (5/16")

2. Tools needed:

- A. Hammer
- B. Drill
- C. ¾" Wrench
- D. Hammer Drill