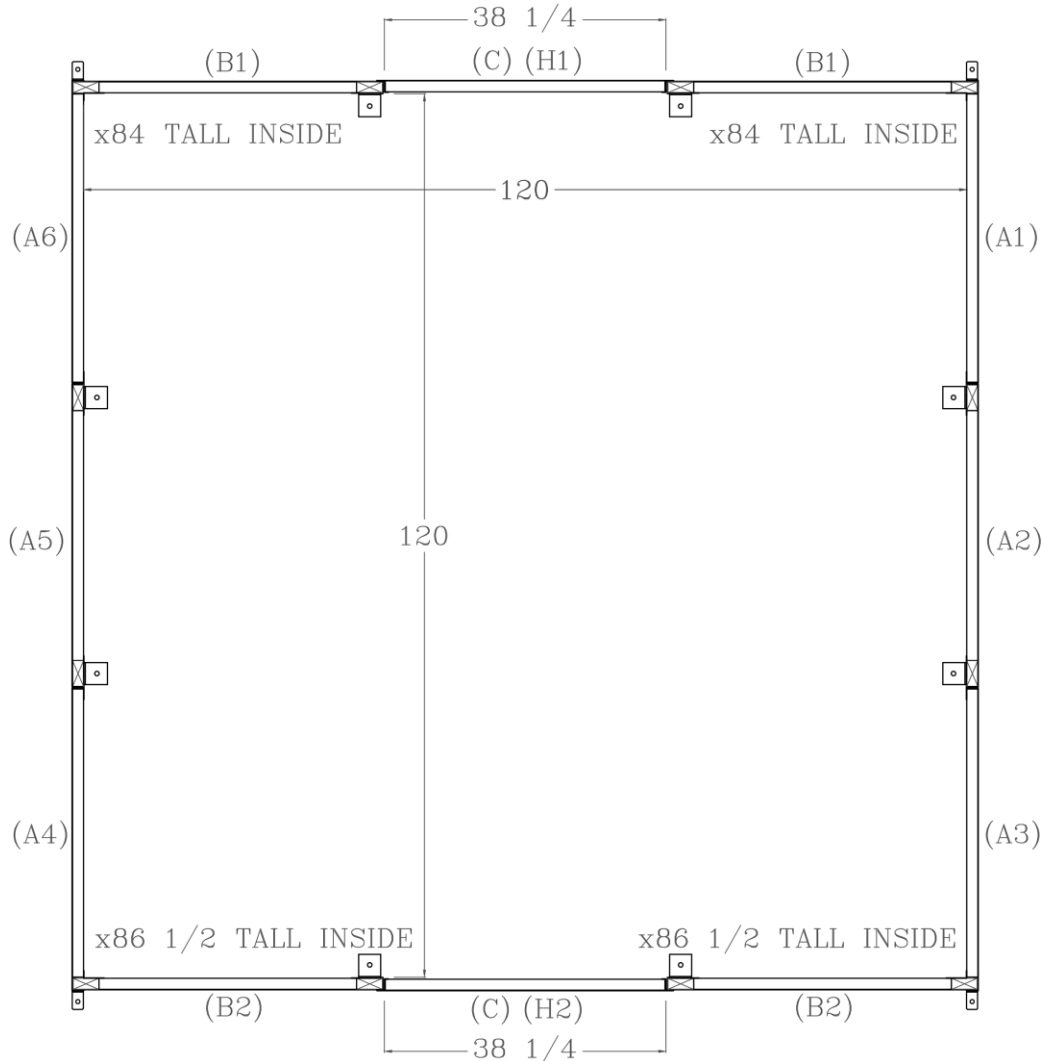


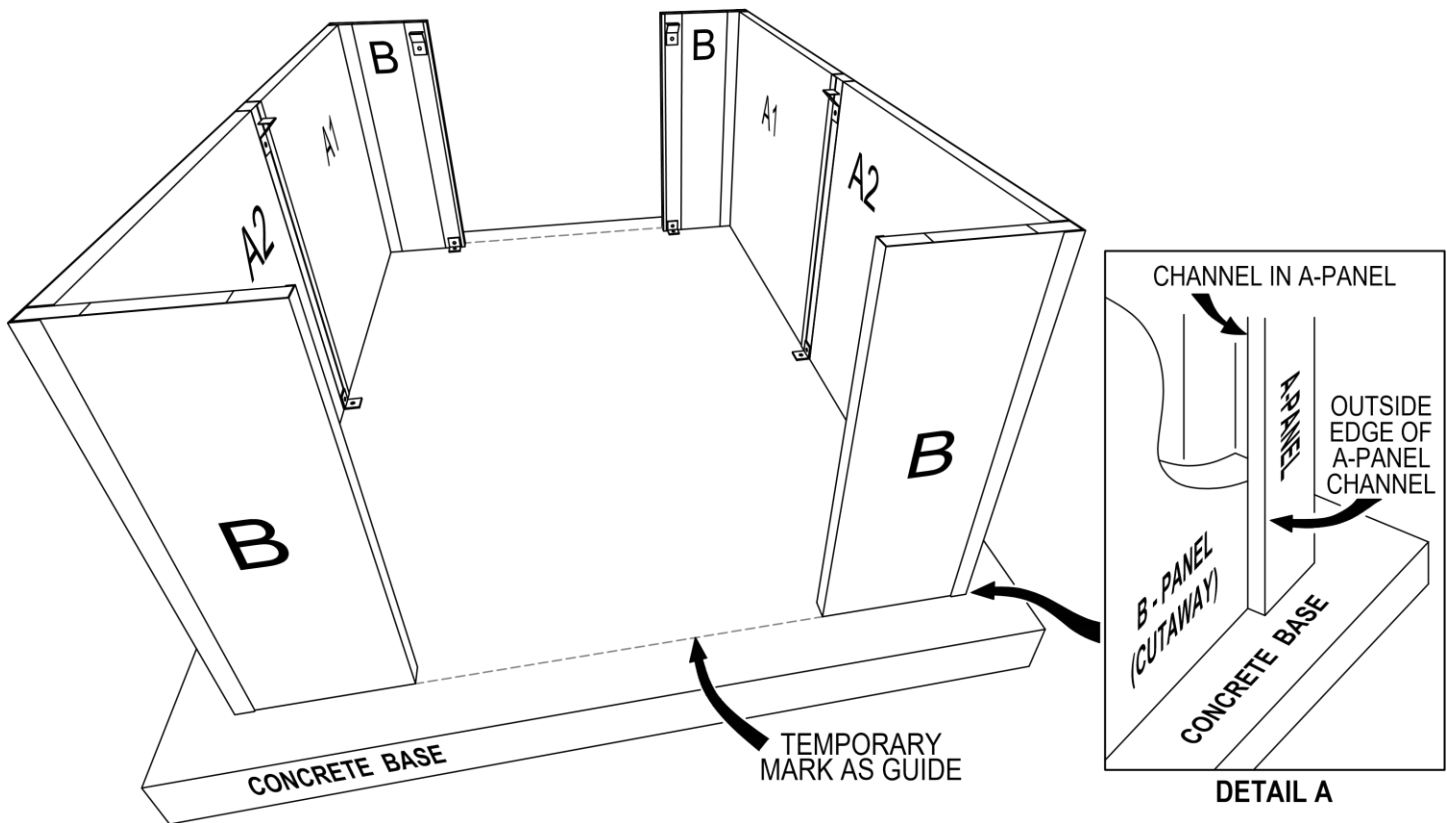
## Model No. LES 120-120-84

### ASSEMBLY INSTRUCTIONS - PLEASE READ CAREFULLY



**Enclosure Plan View**

1. **Do not remove the PVC masking film** until the enclosure is fully assembled. The PVC masking film will protect the enclosure's outer finish during installation.
2. The concrete base should be 6" thick, 14" longer than enclosure ID and 14" wider than enclosure ID. Please note that the concrete base should be level, or the "C" (access) panels may be difficult to install.
3. Mark the concrete base for outside the enclosure (3 3/8" wider than ID and 3 1/8" longer than ID).
4. Assemble the "A#-B#" (corner) assemblies through the holes provided oriented as shown in the Enclosure Plan View using Hex Head Screws. (For best results, insert a bead of silicone caulk into the inside bend of the "A#" panel corners.) Set them on the marked concrete base (Fig. 1).

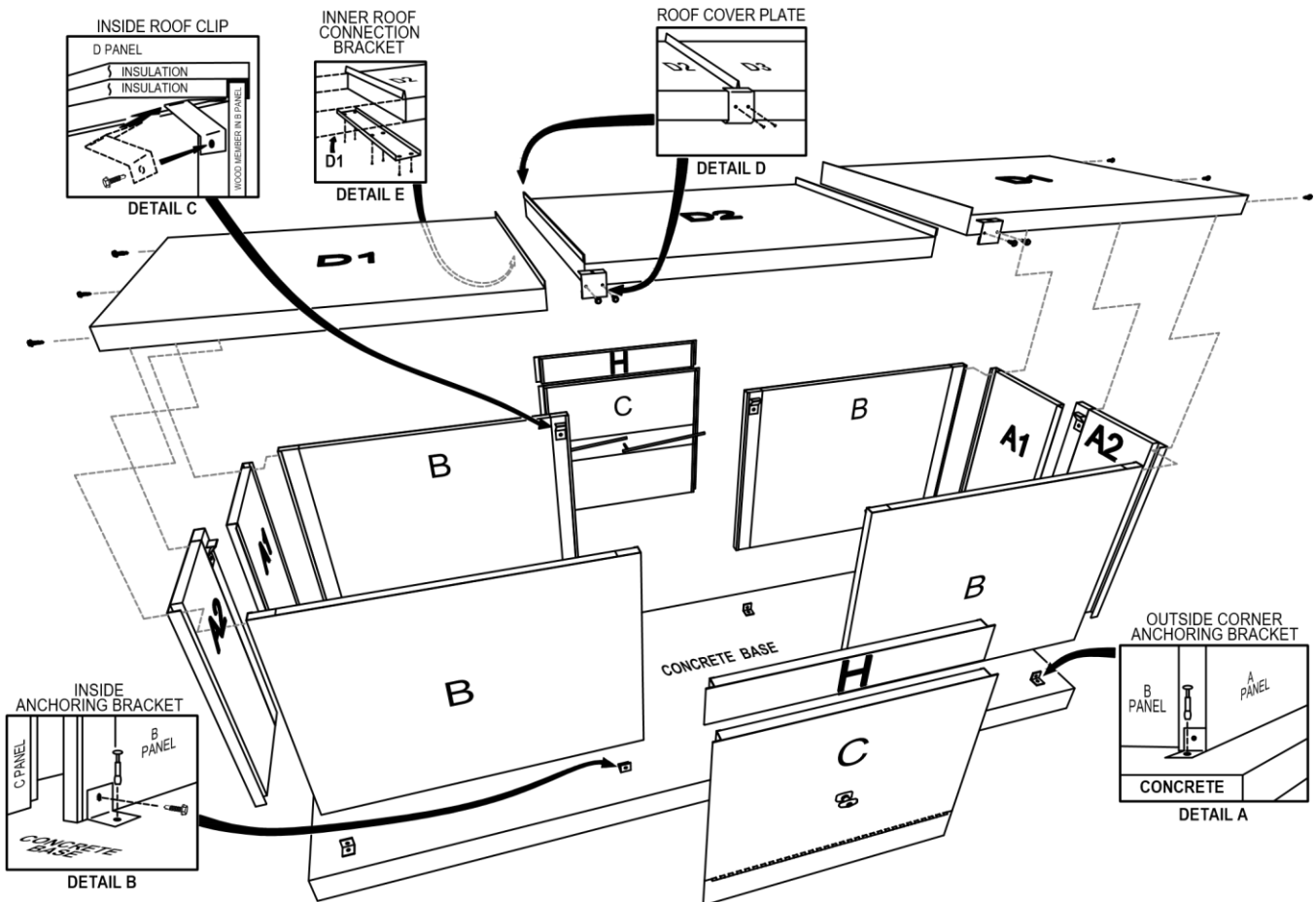


**FIG. 1**

**NOTE: model sizes and configurations vary, see the Enclosure Plan View.**

5. Stand the “A2” and “A5” (end) panels firmly together with the “A#-B#” (corner) assemblies oriented as shown in the Enclosure Plan View and then fasten them together using Hex Head Screws through the holes provided making sure that the panels are pulled tightly together before tightening the screws. (For best results, insert a bead of silicone caulk into the inside bend of the “A#” panel flanges.)
6. Install the “H#” (header) panels in the following roof assembly steps while trying to maintain about a 3/16” gap on both sides of each “H#” (header) panel. Measure and verify the inside length of the enclosure during assembly progress. If the measurements do not match the Enclosure Plan View, compensate by increasing or decreasing the suggested 3/16” gap until the inside length is correct. Try to maintain the same gap at all gap locations.
7. Once the approximate “H#” (header) panel gap is determined, “temporarily” install the “H#” (header) panels between the “B#” (side) panels. Fasten the “H#” (header) panels in place for roof support with the required approximate gap on each side of the panels. It’s a good idea to leave some header panel assembly screws uninstalled and/or loose to allow for final adjustments after fitting the roof.
8. Inspect the alignment of the “C” (access) panels during assembly. Verify that their removal and replacement allow adequate space and positioning with the adjacent panels prior to attaching brackets to the concrete.

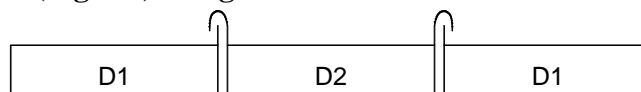
9. Set one of the “D1” (roof) panels on a “B-A-B” (corner-end-corner) assembly and then fasten them together through the holes provided (Fig. 2) using four (4) Hex Head Screws.



**FIG. 2**

**NOTE:** model sizes and configurations vary, see the Enclosure Plan View.

10. Insert Inside Roof Clips into the “D1” (roof) panel at the “A#” panel studs (Fig. 2C) and then attach the clips as shown using one (1) Hex Head Screw per clip.
11. Repeat the “D1” (roof) panel assembly on the other “B-A-B” (corner-end-corner) assembly.
12. Position the “D2” (roof middle) panel (Fig. 3) between the “D1” (roof end) panels and set it in place. On the inside, place Inner Roof Connection Brackets under both “D1-D2” 2x6 panel connections and then fasten them into place (Fig. 2E) using Hex Head Screws.



**FIG. 3**

13. Complete the anchoring bracket and roof clip installations in the following steps on one side and one end before moving on to the other side and end of the enclosure. Fastening each anchoring bracket will



ENCLOSURES DESIGNED FOR THE WORLD'S WATER SYSTEMS™

require two (2) Hex Head Screws installed first and then one (1) Anchor per bracket installed last. Fastening each Inside Roof Clip will require one (1) Hex Head Screw per clip.

14. Attach Outside Corner Anchoring Brackets at the “A1-B1” and the “A6-B1” (corner) assemblies on the first side of the enclosure (Fig. 2A) oriented as shown in the Enclosure Plan View, and then fasten them to the concrete.
15. Attach Inside Anchoring Brackets to the “B1” (corner) panel studs at the bottom, inside on the first side of the enclosure (Fig. 2B) oriented as shown in the Enclosure Plan View, and then fasten them to the concrete.
16. Insert Inside Roof Clips into the “D#” (roof) panels at the “B1” (side) panel studs (Fig. 2C) along the first side of the enclosure and then fasten them in place.
17. Attach Inside Anchoring Brackets to the “A2” (end) panel studs at the bottom, inside on the first end of the enclosure (Fig. 2B) oriented as shown in the Enclosure Plan View, and then fasten them to the concrete.
18. Repeat these anchoring bracket and roof clip steps on the second side and end. Note that all provided anchoring brackets and roof clips must be installed for the enclosure to withstand strong winds.
19. Finish installing and tightening the screws in the “H#” (header) panels.
20. Install Roof Cover Plates on the “D#-D#” seams (Fig. 2D) using two (2) Hex Head Screws per plate.
21. Provide a ground-fault interrupter device in all electrical circuits per all applicable codes. Install the heater(s) as per the manufacturer’s instructions and governing local and national codes.
22. For maximum protection, it is suggested that the area between the bottom of the enclosure and the concrete base should be caulked except for the “C” panels. **DO NOT CAULK THE BOTTOM OF THE “C” PANELS.**
23. **REMOVE THE PVC MASKING FILM IMMEDIATELY AFTER INSTALLATION.** If the panels get wet with the masking film in place, water will irreversibly stain the panels. Summertime heat will bake the masking film onto the panels.

## Model No. LES 120-120-84

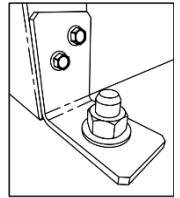
# CONTENTS

### 1. Assembly parts included:

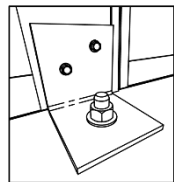
- A. 1- "A1" (end corner) Panel
- B. 1- "A2" (end) Panel
- C. 1- "A3" (end corner) Panel
- D. 1- "A4" (end corner) Panel
- E. 1- "A5" (end) Panel
- F. 1- "A6" (end corner) Panel
- G. 2- "B1" (side corner) Panels
- H. 2- "B2" (side corner) Panels
- I. 1- "C" (access) Panel
- J. 1- "C" (access) Panel with Drain Flap
- K. 2- "D1" (roof end) Panels
- L. 1- "D2" (roof middle) Panel
- M. 1- "H1" (header) Panel
- N. 1- "H2" (header) Panel
- O. 4- Outside Corner Anchoring Brackets (1½" x 1½")
- P. 8- Inside Anchoring Brackets (3" x 3")
- Q. 8- Inside Roof Clips
- R. 4- Roof Cover Plates
- S. 2- Inner Roof Connection Brackets
- T. 1- Package of Anchors
- U. 1- Package of Hex Head Screws
- V. 1- Masonry Bit
- W. 1- Magnetic Chuck

### 2. Tools needed:

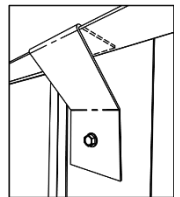
- A. Hammer
- B. Screw Gun
- C. ¾" Wrench
- D. Hammer Drill



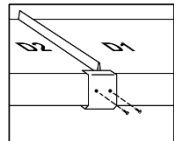
OUTSIDE CORNER ANCHORING BRACKET (SMALL)



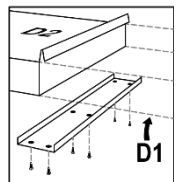
INSIDE ANCHORING BRACKET (LARGE)



INSIDE ROOF CLIP



ROOF COVER PLATE



INNER ROOF CONNECTION BRACKET