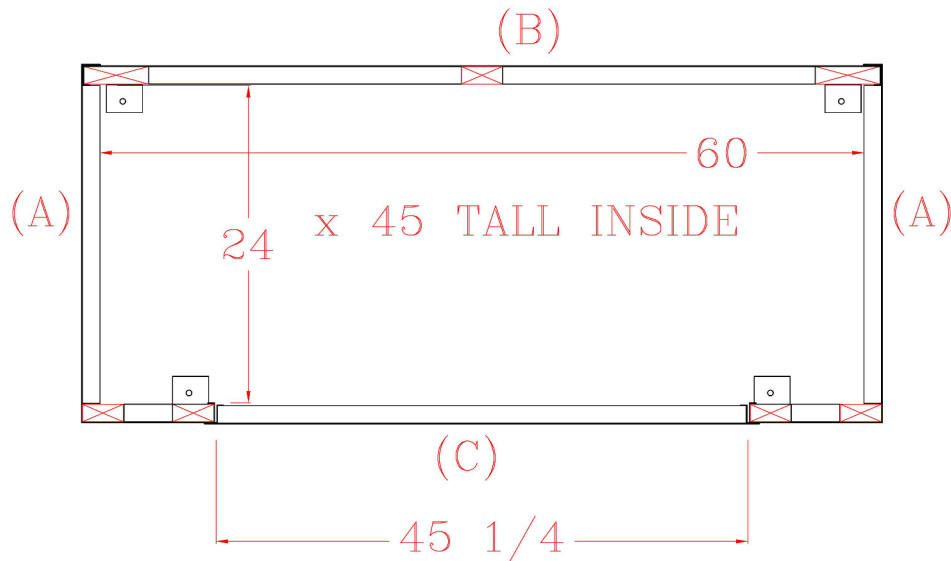


**Model No. 300SNT-AL**  
**ASSEMBLY INSTRUCTIONS PLEASE READ CAREFULLY**



**Plan View of Enclosure**

- 1. The concrete base should be 6" thick x 14" longer than enclosure ID x 14" wider than enclosure ID.**
  - A. Mark the concrete base along the outside of the enclosure (3" wider than ID and 3" longer than ID).
- 2. Using four (4) hex headed screws per joint assemble the "A-B-A" assembly through the holes provided. Set the assembly on the marked concrete base (Figure 1).**

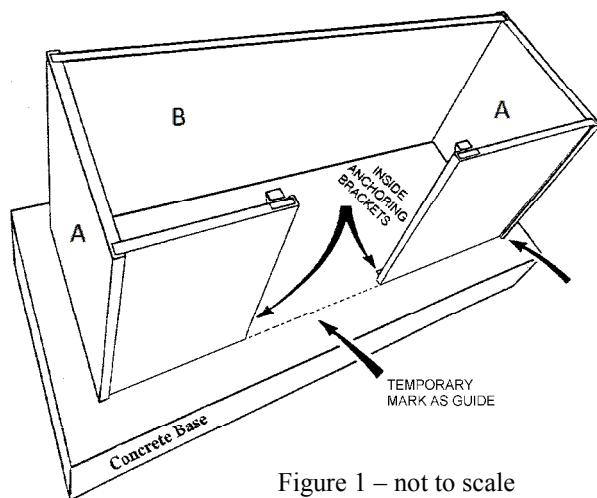


Figure 1 – not to scale



ENCLOSURES DESIGNED FOR THE WORLD'S WATER SYSTEMS™

3. Set the “D” (roof) panel on the “A-B-A” (end-side-end) assembly. On the inside, inspect the alignment of the “D” (roof) panels where it meets the “A-B-A” (end-side-end) assembly (Note that the “C” access panel may be temporarily installed opposite the roof hinges to gain perspective on alignment issues.)
  - A. Fasten the “D” (roof) safety hooks before attaching the “D” (roof) to the “B” panel.
  - B. Attach the “D” (roof) panel to the “B” panel by fastening the roof hinge to the panel with the rivets provided.
4. Test the installation of the “C” panel. Verify that its removal and replacement allows adequate space and positioning within the opening. The access panel and roof should be fully adjusted as needed and functional prior to finalizing the installation.
5. After alignment and functional operation of the “D” (roof) panel and “C” panel is assured, begin to fasten the enclosure to the concrete. Place Inside Anchoring Brackets at the 4 locations shown in the plan view and then fasten them to the concrete base with the anchors provided. Next, fasten them to the “A-B-A” panel studs as shown. **IMPORTANT!** Fasten the Inside Anchoring Brackets to the concrete base first and then fasten them to the enclosure.
6. Release the safety hooks and raise the roof. Install the Metal Roof Support Brackets with a screw or rivet into the “B-A-B” panels in or near the existing screw hole.
7. Fasten the roof on the inside with the safety hooks.
8. Provide a ground-fault interrupter device in all electrical circuits according to all applicable codes. Install the heater(s) (if required) according to manufacturer’s instructions and governing local and/or national codes.
9. For maximum protection it is suggested that the area between the bottom of the enclosure and the concrete base should be caulked with the exception of the “C” panel. **DO NOT CAULK THE BOTTOM OF THE “C” PANEL.**
10. **REMOVE THE MASKING FILM IMMEDIATELY AFTER INSTALLATION.** If the panels get wet with the masking film in place, water will irreversibly stain the panels. Summertime heat will bake the masking film onto the panels.



ENCLOSURES DESIGNED FOR THE WORLD'S WATER SYSTEMS™

## **Model No. 300SNT-AL**

# **CONTENTS**

### **1. Your assembly should include**

- A. 2- “A” (end) Panels
- B. 1- “B” (side) Panel
- C. 1- “C” (access) Panel
- D. 1- “D” (roof) Panel
- E. 4- Inside Anchoring Brackets (3” x 3”)
- F. 2- Metal Roof Support Brackets
- G. 1- Package of Anchors
- H. 1- Package of Hex Headed Screws & Rivets
- I. 1- Masonry Bit
- J. 1- Magnetic Chuck

### **2. Tools you will need**

- A. Hammer
- B. Drill
- C. 3/4” Wrench
- D. Pop Rivet Gun