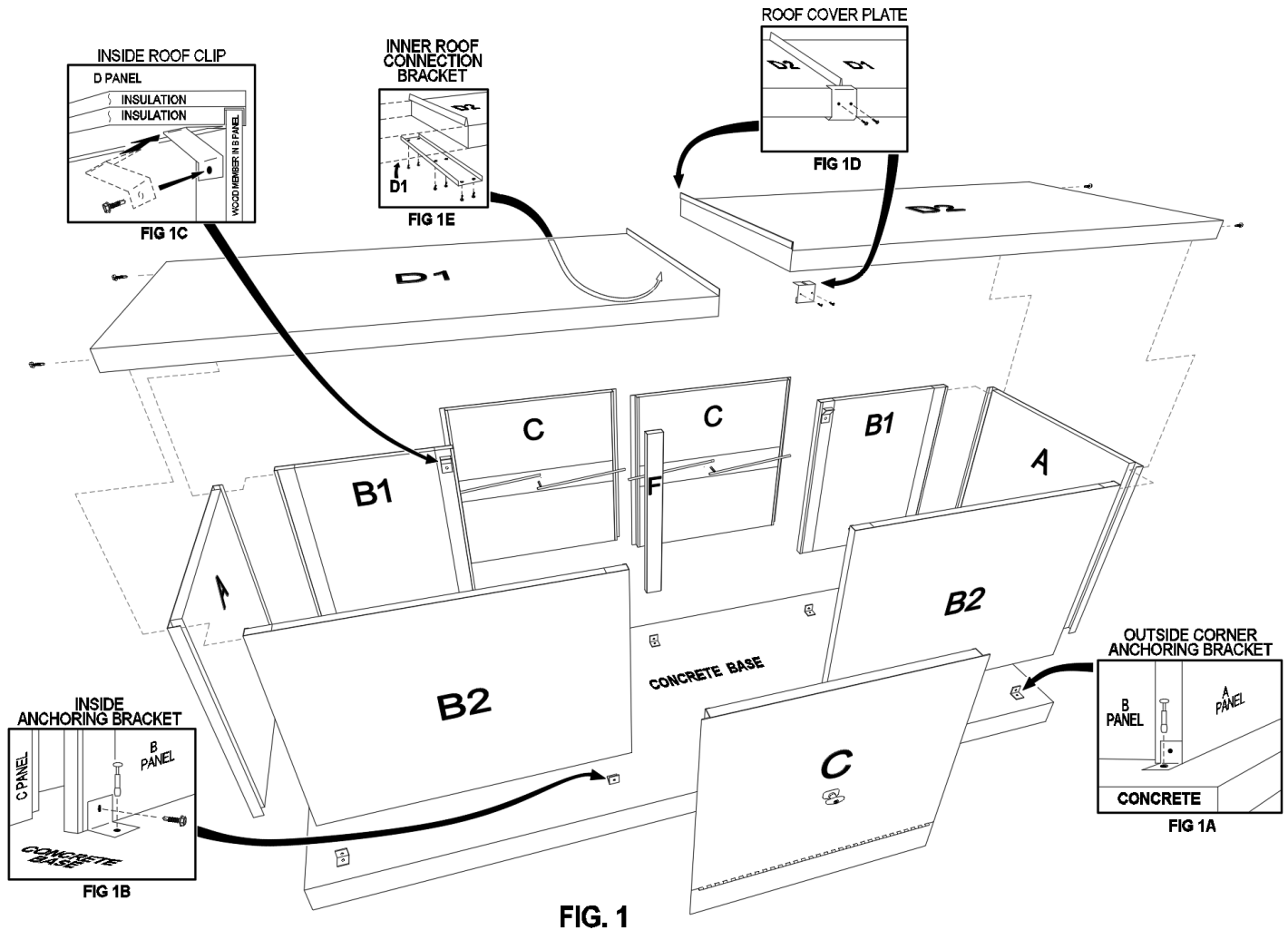
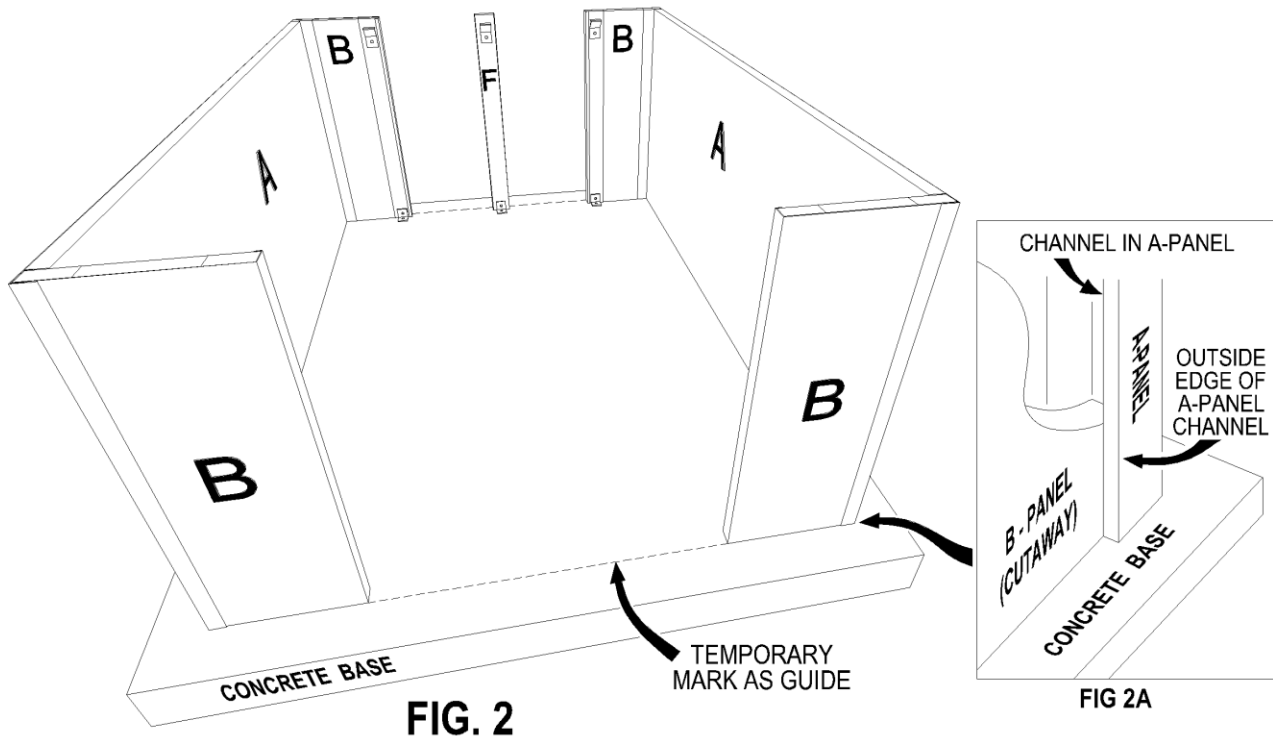


## ASSEMBLY INSTRUCTIONS PLEASE READ CAREFULLY



Model No.	Inside Dimensions	Outside Dimensions	Recommended Concrete Pad Dimensions
1000 Series	40"W x 144"L x 80"H	43 3/4"W x 147"L x 83 1/4"H	54"W x 158"L x 6" Thick
1000T Series	40"W x 144"L x 90"H	43 3/4"W x 147"L x 93 1/4"H	54"W x 158"L x 6" Thick

- The concrete base should be 6" thick x 14" longer than enclosure ID x 14" wider than enclosure ID.**
  - Mark the concrete base for the outside of the enclosure (3" wider than ID and 3" longer than ID).
- The PVC masking film will help to protect the finish of the metal panels during installation. These coatings should be left intact and removed only after assembly of the enclosure is complete.**
  - Assemble the "B1-A-B2" (side-end-side) assemblies using hex headed screws. (For best results, insert a bead of silicone caulk into the inside bend of the "A" panel corners.) Position both sets of assembled panels on the marked concrete base (Fig 2).



**NOTE: model sizes and configurations vary, see the chart.**

3. Inspect the alignment of the “C” (access) panels during the assembly process. Verify that their removal and replacement allows adequate space and positioning within the openings and with the adjacent panels prior to attaching any bracket to the concrete.
4. Set the “C” access panels and the “F” (side) post in place with about a 3/16” gap on each side of the “C” panels as the roof is assembled.
  - A. Set the “D1” (roof) panel on a “B1-A-B2” (side-end-side) assembly. Using two (2) hex headed screws, fasten the “D1” (roof) panel to the “B1-A-B2” (side-end-side) assembly through the holes provided (Fig 1).
  - B. Insert an Inside Roof Clip into the “D1” (roof) panel at the “B#” panel studs (Fig. 1C). Using one (1) hex headed screw for each, attach the clip to the “B#” panel studs as shown.
  - C. Repeat step 4A and 4B for the “D2” (roof) panel and second “B1-A-B2” (side-end-side) assembly.



FIG. 3

**Side View of Roof Panels**



ENCLOSURES DESIGNED FOR THE WORLD'S WATER SYSTEMS™

5. **On the inside, place the Inner Roof Connection Bracket under the “D1-D2” 2x4 connection. Using hex headed screws, fasten the Inner Roof Connection Brackets into place (Fig. 1E).**
  - A. The Inner Roof Connection Bracket has a tab on one side. This tab will fasten to the top of the “F” post stud later.
6. **Using one (1) hex headed screw, attach an Outside Corner Anchoring Bracket to an “A-B#” (corner) assembly. Using one (1) anchor per bracket, fasten it to the concrete (Fig 1A). Fasten one (1) Outside Corner Anchoring Bracket at both “A-B#” (corner) assemblies on one side.**
  - A. Attach the Inside Anchoring Brackets to the “B#” panel studs at the bottom, inside at the concrete (Fig 1B). Using one (1) anchor per bracket, fasten them to the concrete. Fasten the Inside Anchoring Brackets to the “B#” panel and concrete along one side of the enclosure.
  - B. Repeat Steps 6 and 6A on the other side of the enclosure.
7. **Align the “F” post within the opening utilizing the space between the “C” panels. Install an Inside Anchoring Bracket (Fig 1B) at the bottom of the “F” post.**
  - A. Attach the “F” post stud to the Inner Roof Connection Bracket tab.
8. **Using two (2) hex headed screws install the Roof Cover Plates over the “D1-D2” roof seam (Fig 1D).**
9. **Provide a ground-fault interrupter device in all electrical circuits per all applicable codes. Install the heater(s) as per manufacturer’s instructions and governing local and national codes.**
10. **For maximum protection, it is suggested that the area between the bottom of the enclosure and the concrete base should be caulked except for the “C” panels. DO NOT CAULK THE BOTTOM OF THE “C” PANELS.**
11. **REMOVE THE PVC MASKING FILM IMMEDIATELY AFTER INSTALLATION. If the panels get wet with the masking film in place, water will irreversibly stain the panels. Summertime heat will bake the masking film onto the panels.**



ENCLOSURES DESIGNED FOR THE WORLD'S WATER SYSTEMS™

**Model No. 1000-AL Series**  
**Model No. 1000T-AL Series**  
**CONTENTS**

**1. Your assembly should include**

- A. 2- "A" (end) Panels
- B. 2- "B1" (side) Panels
- C. 2- "B2" (side) Panels
- D. 2- "C" (access) Panels
- E. 1- "Cw/d" (access) Panel
- F. 1- "D1" (roof) Panel
- G. 1- "D2" (roof) Panel
- H. 4- Outside Corner Anchoring Brackets (1 ½" x 1 ½")
- I. 5- Inside Anchoring Brackets (3" x 3")
- J. 4- Inside Roof Clips
- K. 2- Roof Cover Plates
- L. 1- Inner Roof Connection Bracket (with tab)
- M. 1- Package of Anchors
- N. 1- Package of Hex headed screws
- O. 1- Masonry Bit
- P. 1- Magnetic Chuck

**2. Tools you will need**

- A. Hammer
- B. Drill
- C. ¾" Wrench