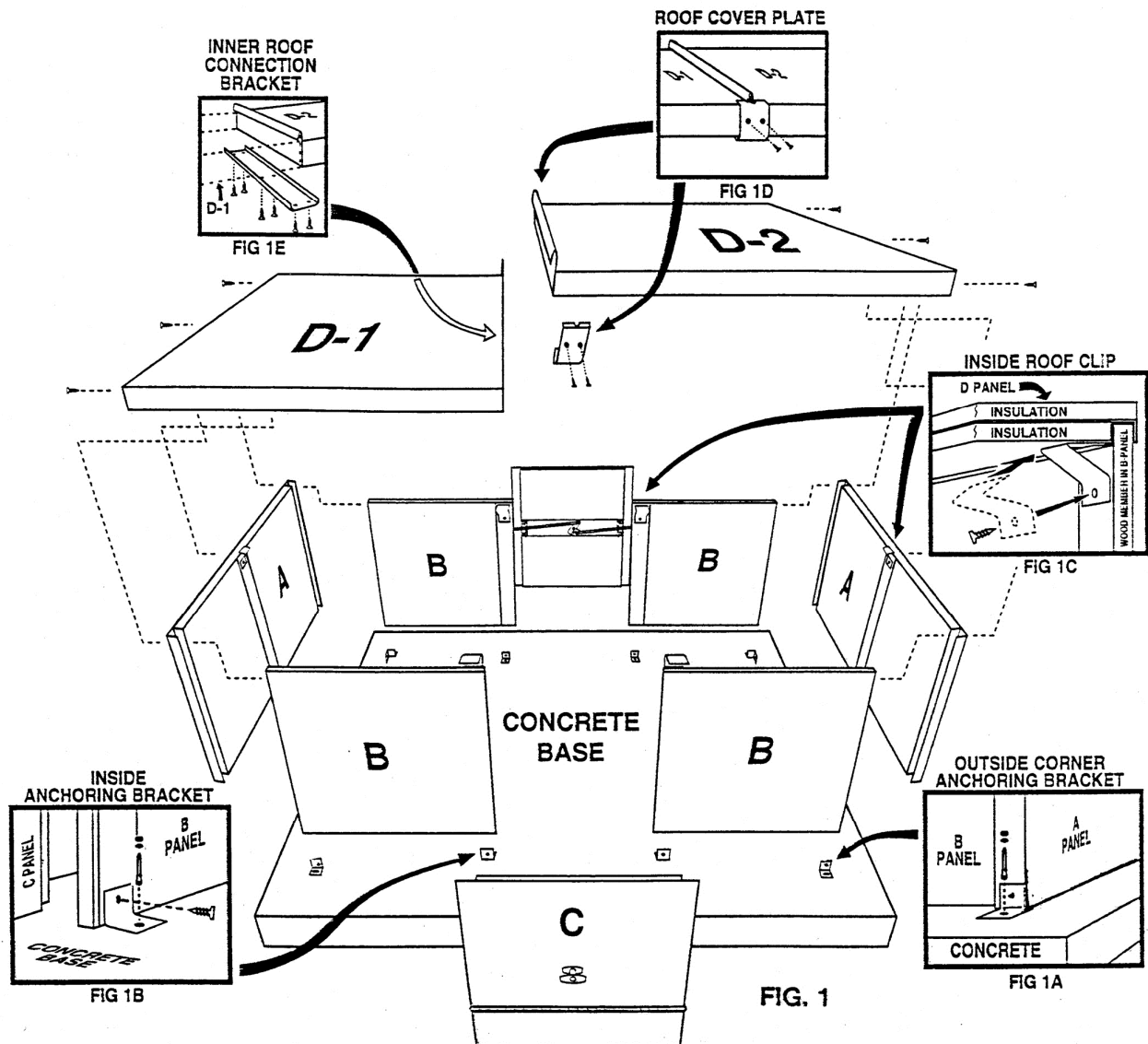


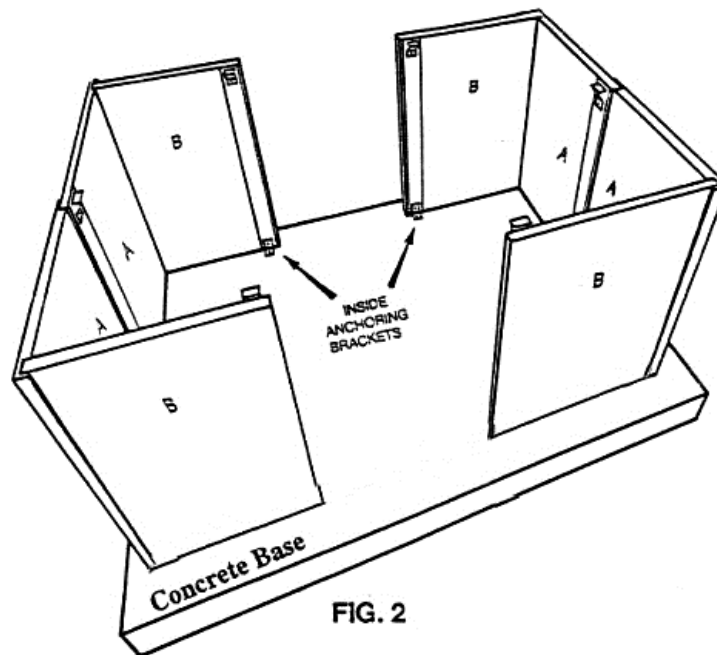
## ASSEMBLY INSTRUCTIONS

### READ CAREFULLY



Model No.	Inside Dimensions	Outside Dimensions	Recommended Concrete Pad Dimensions
400D-Series	58"W x 90"L x 48"H	61 3/4"W x 93 1/8"L x 51 1/4"H	72"W x 104"L x 6" thick
400TD-Series	58"W x 90"L x 54"H	61 3/4"W x 93 1/8"L x 57 1/4"H	72"W x 104"L x 6" Thick
600D-Series	70"W x 108"L x 56"H	73 3/4"W x 111 1/8"L x 59 1/4"H	84"W x 122"L x 6" Thick

1. Center a 6" thick concrete base around installed BFP.
  - A. Place expansion material around riser pipe and place conduit for electrical power before placing concrete. **CONCRETE SHOULD BE FINISHED ABSOLUTELY LEVEL, FLAT AND SMOOTH.** Allow concrete to cure.
  - B. Mark concrete with outside dimensions of enclosure. Center enclosure around BFP.
2. Using four (4) hexhead screws for each section assemble both "A-B" (end) sections thru holes provided. Set on marked concrete base (FIG 2).
3. Set "D1" (roof) panel on one "A-B" section. Using three (3) hexhead screws for end of "D1" (roof) panel, fasten to "A" panel on outside thru holes provided (FIG 1).
4. Position "D2" (roof) panel over edge of "D1" (roof) panel and set on other "A-B" section. Using three (3) hexhead screws for end of "D2" (roof) panel, fasten to "A" panel on outside thru holes provided. (FIG 1).
5. On inside of "D1-D2" roof sections position an **Inner Roof Connection Bracket (Fig 1E)** over wood. Using six (6) hexhead screws fasten bracket.



6. Align each "A" panel to form a straight line.
  - A. Using one (1) hexhead screw for each bracket, attach **Outside Corner SS Anchoring Brackets** to "A-B" sections. Using one (1) wedge anchor for each bracket fasten to concrete (FIG 1A). Use the masonry bit provided. Drill into concrete 3" deep, insert wedge anchor, hit the wedge anchor until it is secure. Fasten **Outside Corner SS Anchoring Brackets** at both corners on one side.

**SAFE-T-COVER**  
**1-800-245-6333**  
**HCF400D-2**

- B. Square the "A-B" panels. Be sure the "B" panels form a straight line. Using one (1) hexhead screw for each bracket attach **Inside Aluminum Anchoring Brackets** to "B" panels on the inside bottom at concrete. Using one (1) wedge anchor for each bracket fasten bracket to concrete (FIG 1B). Use same procedure as detailed in section 6A. Fasten **Inside Aluminum Anchoring Brackets** to both "B" panels and concrete on one side.
7. Repeat Steps 6, 6A & 6B on the other side of enclosure.
  8. Using one (1) hexhead screw for each bracket attach **Inside Aluminum Anchoring Brackets** to "A" panels on the inside bottom at concrete. Using one (1) wedge anchor for each bracket fasten bracket to concrete (FIG 1B).
  9. Using one (1) hexhead screw for each, install an **Inside Roof Clip** at top inside of "B" panels. There will be four **Inside Roof Clips** installed at the "B" panels. (FIG 1C).
  10. Using one (1) hexhead screw for each, install an **Inside Roof Clip** in the middle at the top *inside* of the "A" panel (end) and roof section. (FIG 1).
  11. Using two (2) hexhead screws install **Roof Cover Plate (Fig 1D)** at "D1-D2" roof seams.
  12. Set "C" panels and lock in place. (Solid "C" panel to be the **ACCESS DOOR PANEL**).
  14. Provide ground-fault interrupter device in electrical circuit according to applicable codes. Install heater as per manufacturer's instructions and governing local and national codes.
  15. For maximum protection it is suggested that the area between the bottom of the enclosure and the concrete base be caulked with the exception of the "C" panels. **DO NOT CAULK THE BOTTOM OF THE "C" DOOR PANELS.**

## **REMOVE MASKING FILM IMMEDIATELY** **AFTER INSTALLATION**

## **CONTENTS**

**Model No. 400D Series**  
**Model No. 400TD Series**  
**Model No. 600D Series**

- 2- "A" (end) Panels**
- 4- "B" (side) Panels**
- 1- "C" (drain door) Panel**
- 1- "C" (solid access) Panel**
- 1- "D1" (roof ) Panel**
- 1- "D2" (roof) Panel**
- 1- Inner Roof Connection Brackets**
- 4- Outside Corner Anchoring Brackets (2 ½" x 2 ½" SS)**
- 6- Inside Anchoring Brackets (3" x 3" Aluminum)**
- 6- Inside Roof Clips**
- 2- Roof Cover Plates**
- 10- Wedge Anchors**
- 34- Screws**
- 1- Masonry Bit – for anchor brackets**
- 1- Magnetic Chuck**

## **TOOLS NEEDED**

**Hammer**  
**Drill**  
**7/16" Wrench**

**SAFE-T-COVER**  
**1-800-245-6333**  
**HCF400D-4**