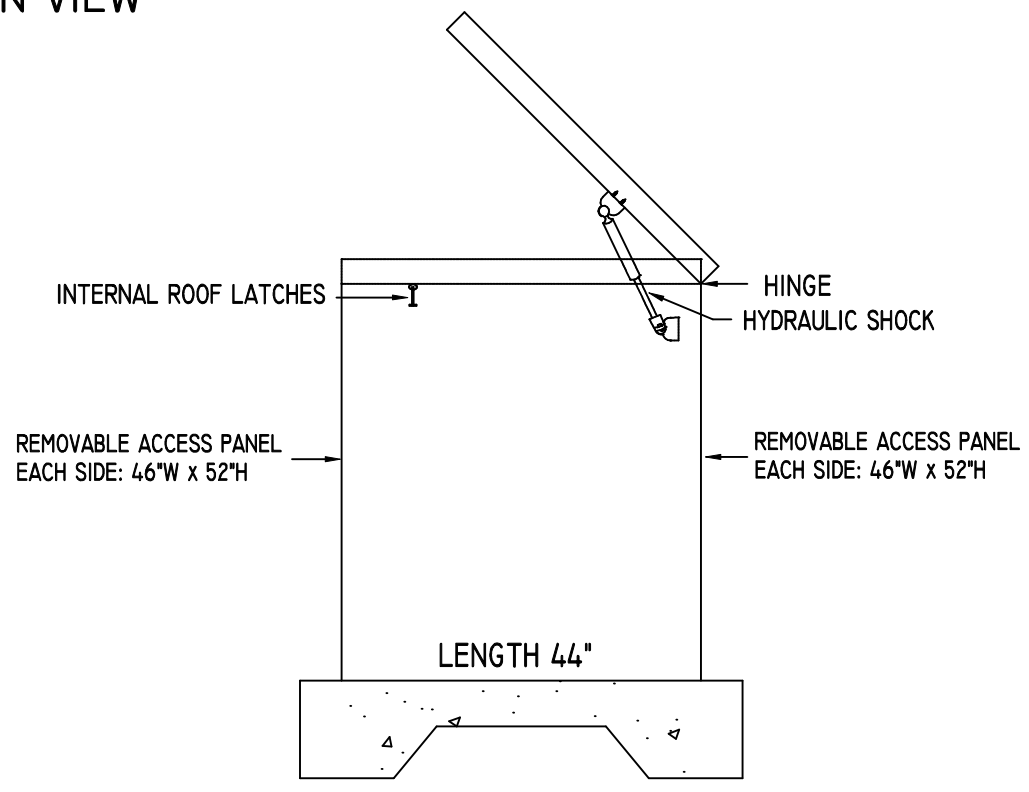
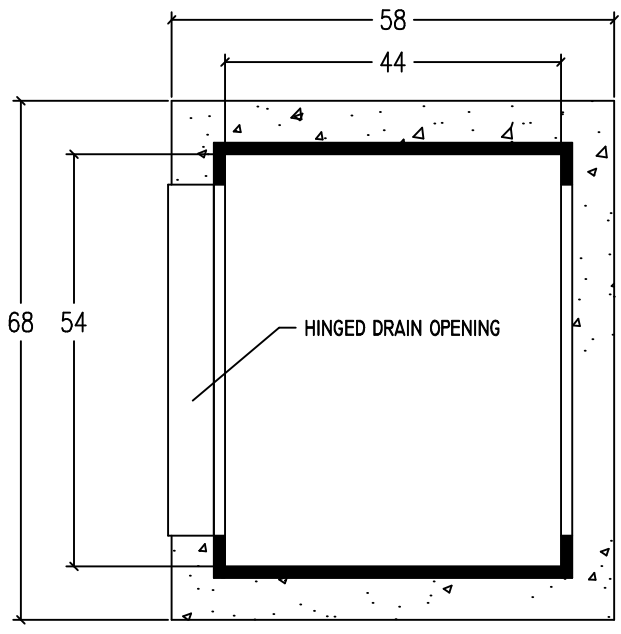


ELEVATION VIEW



800TLU880
 SHEET 1 OF 1

PLAN VIEW



- 6. MODEL 800TLU880-AL ENCLOSURE.
- 7. ENCLOSURE INSIDE DIMENSIONS: 54"W x 44"L x 52"H
- 8. CONCRETE PAD IS 68"W x 58"L
- 1. DRAWING NOT TO SCALE.
- 2. BFP DIMENSIONS FURNISHED BY WATTS
- 3. ALL DIMENSIONS ARE IN INCHES.
- 4. WALL AND INSULATION THICKNESS IS 1-1/2".
- 5. ROOF AND INSULATION THICKNESS IS 3".