

ENCLOSURE MODEL: 600LU880-AL

JOB:

Drawn By: MW

Scale: NONE

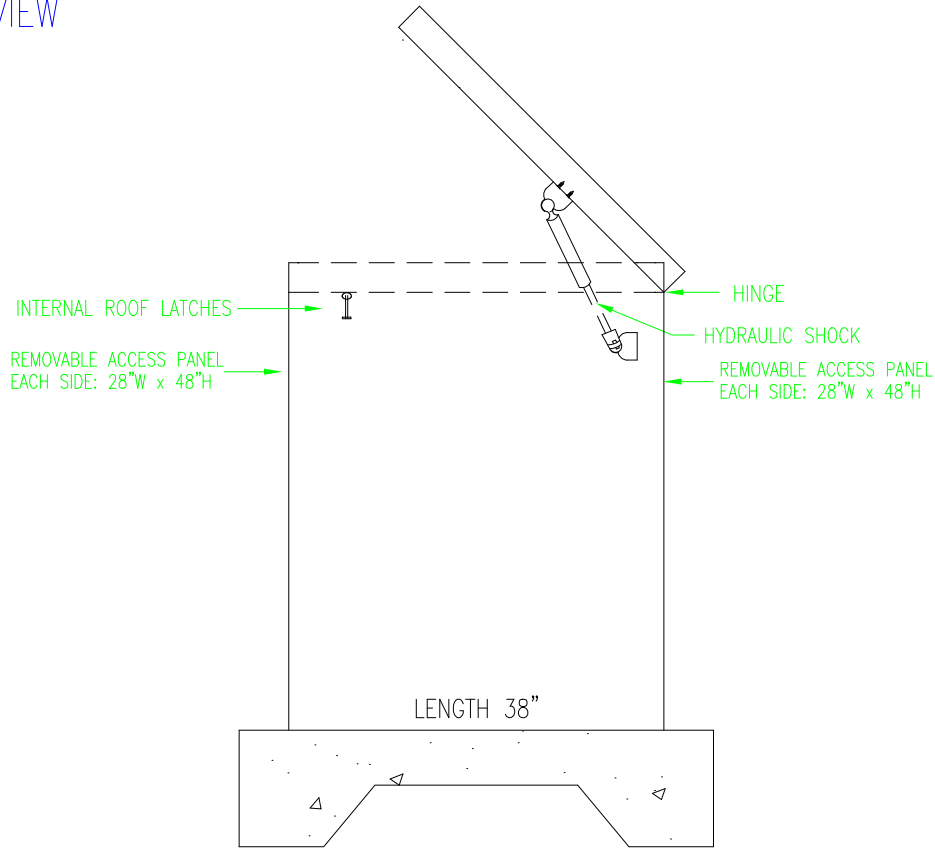
Date:

HYDROCOWL, INC.

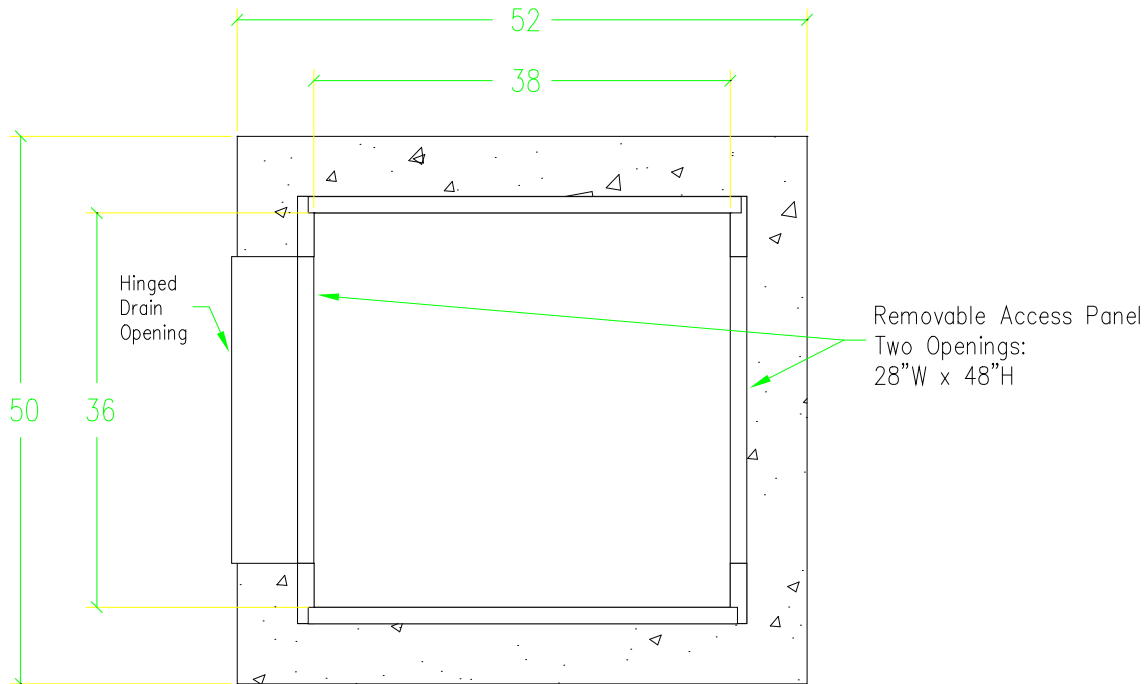
213 CRUTCHFIELD AVENUE, NASHVILLE, TN 37210

615-259-4495, 800-245-6333, 615-259-4481 FAX

ELEVATION VIEW



PLAN VIEW



FN: 600LU880

Sheet 1 of 1

6. HYDROCOWL MODEL 600LU880-AL ENCLOSURE.

7. Enclosure inside dimensions:  
36"W x 38"L x 48"H

8. Concrete pad is 50"W x 52"L

9. BFP -

1. Drawing NOT TO SCALE.

2. BFP dimensions furnished by

3. All dimensions are in inches.

4. Wall and insulation thickness is 1-1/2".

5. Roof and insulation thickness is 3".