

ENCLOSURE MODEL: 400TLU880-AL

JOB:

Drawn By: MW

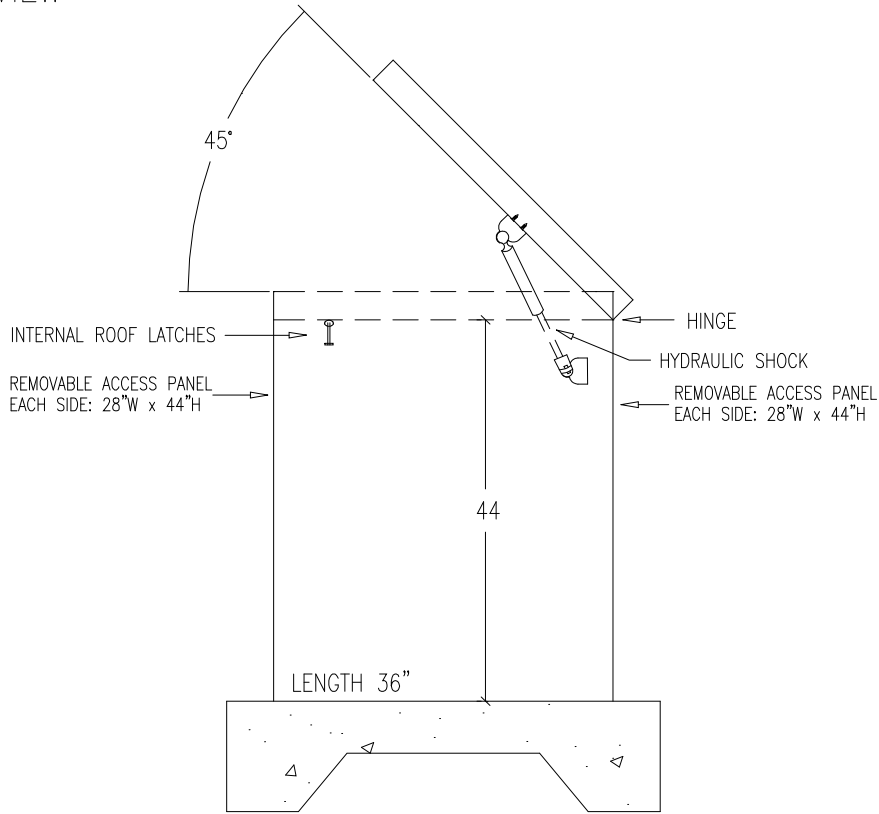
Scale: NONE

Date:

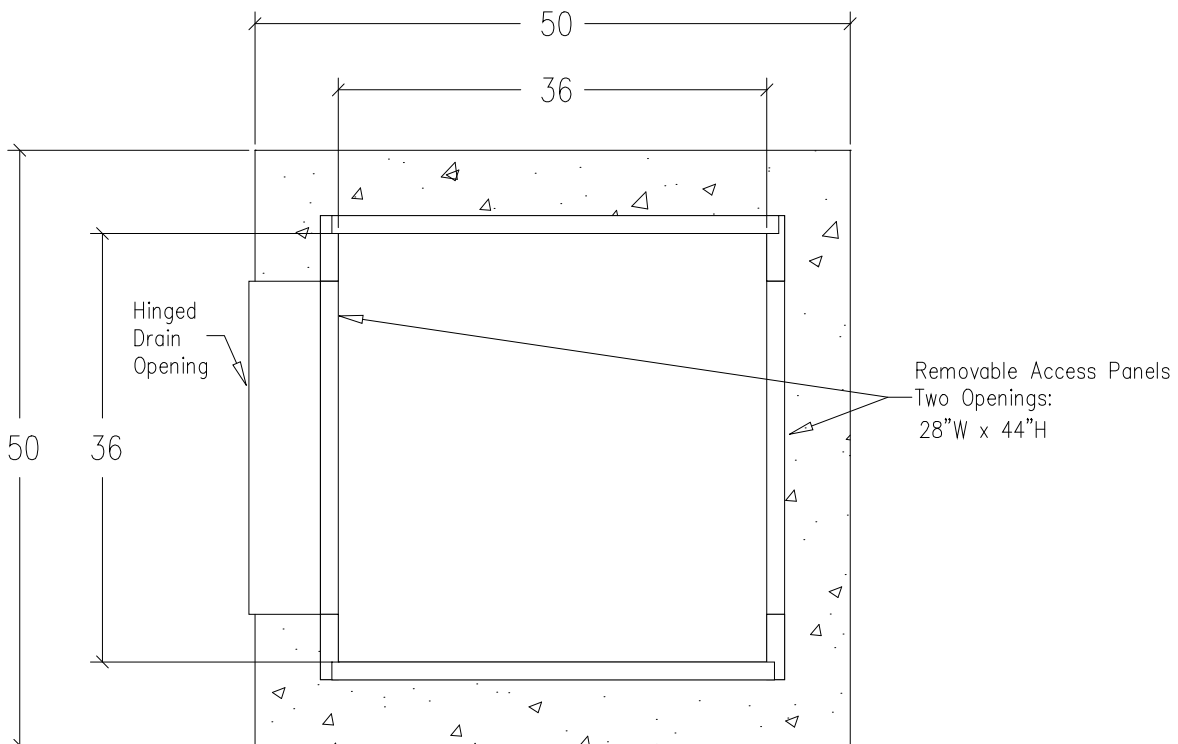
SAFE-T-COVER

BY: HYDROCOWL
2710 LANDERS AVENUE, NASHVILLE, TN 37211
615-259-4495, 800-245-6333, 615-259-4481 FAX

ELEVATION VIEW



PLAN VIEW



FN: 400TLU880

Sheet 1 of 1

6. HYDROCOWL MODEL 400TLU880-AL ENCLOSURE.

7. Enclosure inside dimensions:
36"W x 36"L x 44"H

8. Concrete pad is 50"W x 50"L

9. BFP -

1. Drawing NOT TO SCALE.

2. BFP dimensions furnished by

3. All dimensions are in inches.

4. Wall and insulation thickness is 1-1/2".

5. Roof and insulation thickness is 3".