

ENCLOSURE MODEL: 300D-AL

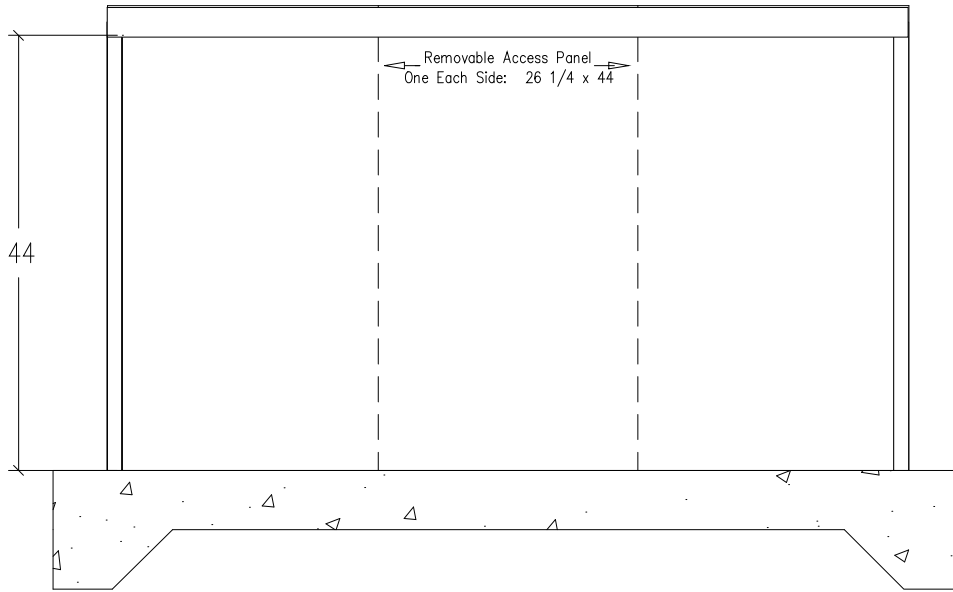
JOB:

Drawn By: MW | Scale: NONE | Date: 9-13-99

SAFE-T-COVER TM

BY: HYDROCOWL
213 CRUTCHFIELD AVENUE, NASHVILLE, TN 37210
615-259-4495, 800-245-6333, 615-259-4481 FAX

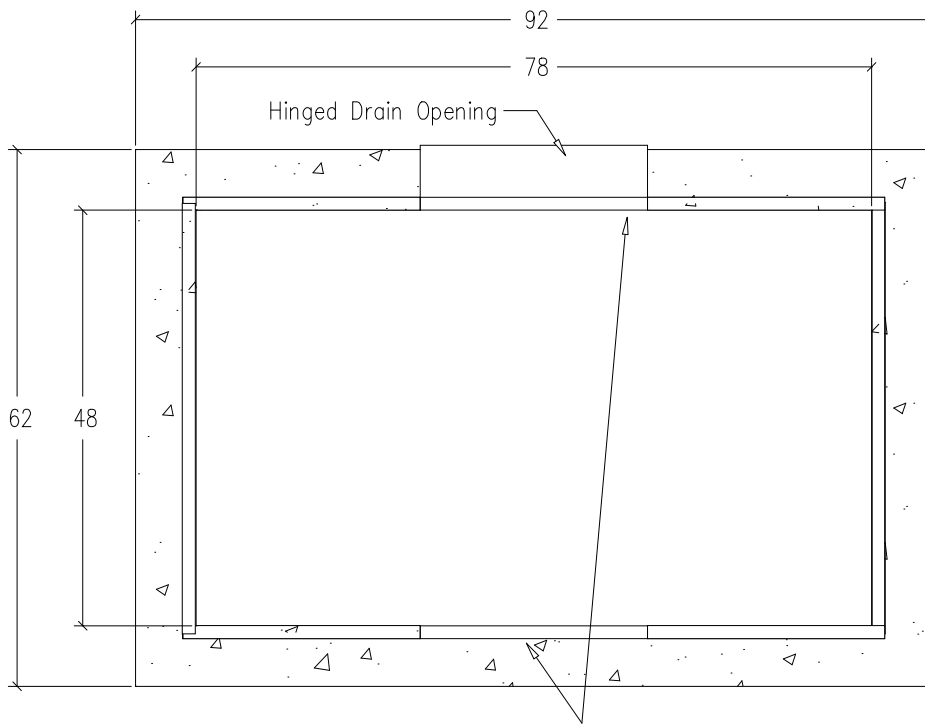
ELEVATION VIEW



FN: 300D

Sheet 1 of 1

PLAN VIEW



Removable Access Panel Openings
Two Openings: 26 1/4 x 44

1. Drawing NOT TO SCALE.
2. BFP dimensions furnished by
3. All dimensions are in inches.
4. Wall and insulation thickness is 1-1/2".
5. Roof and insulation thickness is 3".
6. MODEL 300D-AL ENCLOSURE.
7. Enclosure inside dimensions:
48"W x 78"L x 44"H
8. Concrete pad is 62"W x 92"L
9. BFP-