

ENCLOSURE MODEL: 200S-AL

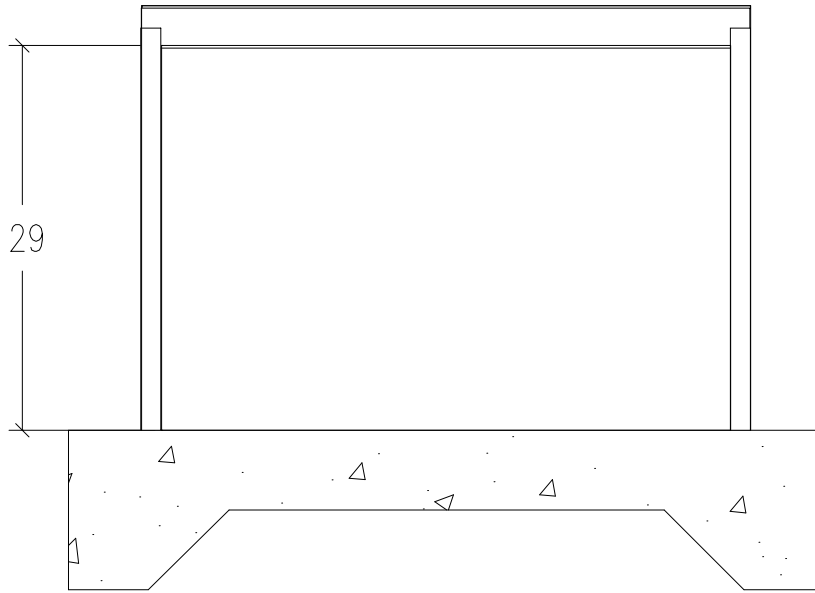
JOB:

Drawn By: MW | Scale: NONE | Date: 4-17-98

**SAFE-T-COVER** <sup>TM</sup>

BY: HYDROCOWL  
2710 LANDERS AVENUE, NASHVILLE, TN 37211  
615-259-4495, 800-245-6333, 615-259-4481 FAX

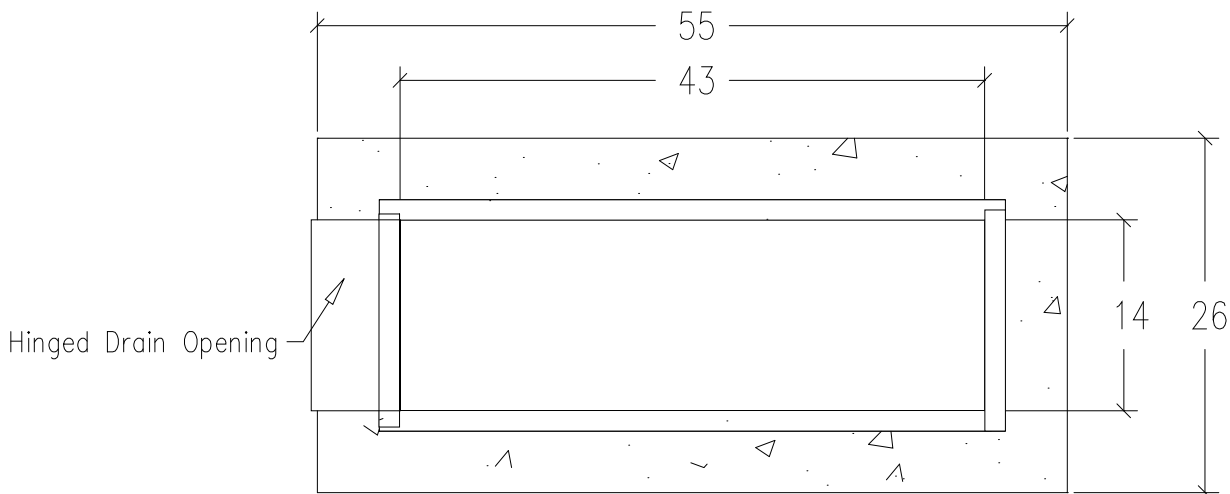
ELEVATION VIEW



FN: 200S

Sheet 1 of 1

PLAN VIEW



6. HYDROCOWL MODEL 200S-AL ENCLOSURE.

7. Enclosure inside dimensions:  
14"W x 43"L x 29"H

8. Concrete pad is 26"W x 55"L

9. BFP -

1. Drawing NOT TO SCALE.

2. BFP dimensions furnished by

3. All dimensions are in inches.

4. Wall and insulation thickness is 1-1/2".

5. Roof and insulation thickness is 3".