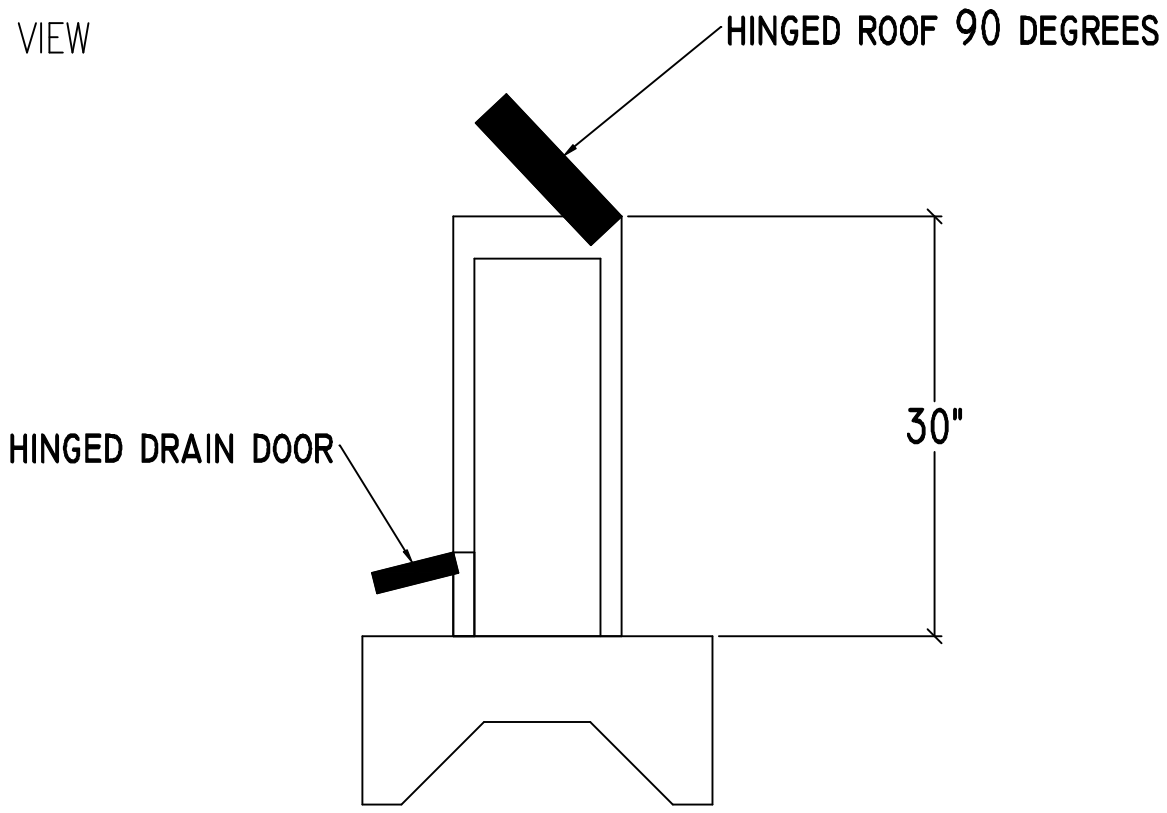
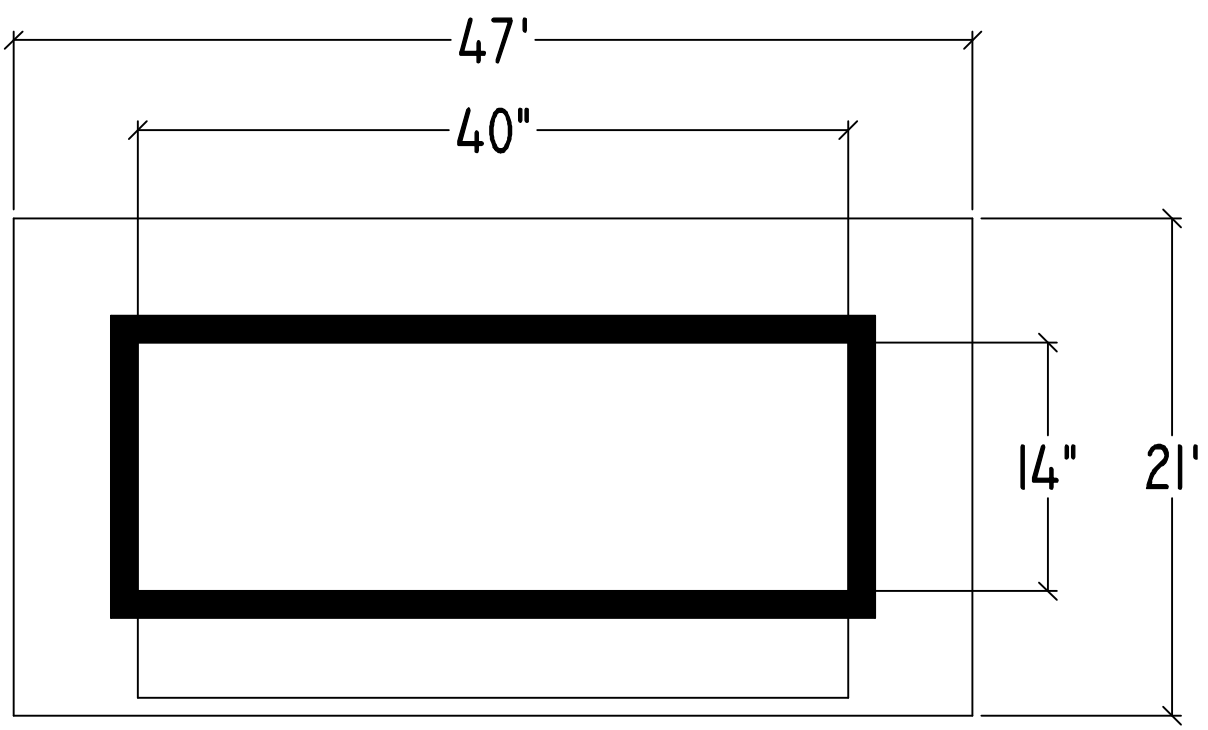


ELEVATION VIEW



PLAN VIEW



FN: Aqualine3  
 Sheet 1 of 1

- 6. MODEL 100SN-AL ENCLOSURE.
- 7. Enclosure inside dimensions: 14"W x 40"L x 30"H
- 8. Concrete pad is 21"W x 47"L x 4"
- 9. BFP-

- 1. Drawing NOT TO SCALE.
- 2. BFP dimensions furnished by
- 3. All dimensions are in inches.
- 4. Wall and insulation thickness is 1-1/2".
- 5. Roof and insulation thickness is 3".