

ENCLOSURE MODEL: 100S-AL

Safe-T-Cover

JOB:

2710 LANDERS AVENUE, NASHVILLE, TN 37211

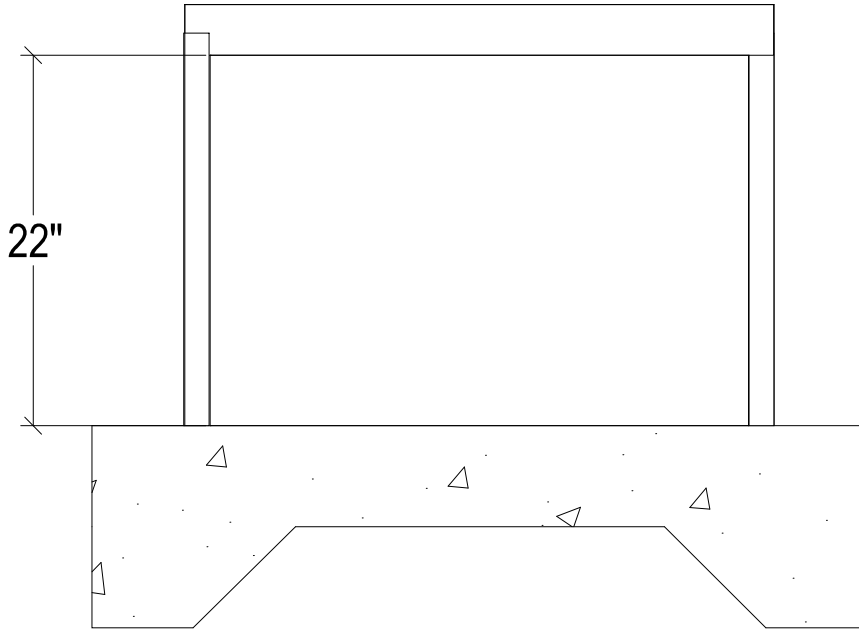
Drawn By: MW

Scale: NONE

Date:

615-259-4495, 800-245-6333, 615-259-4481 FAX

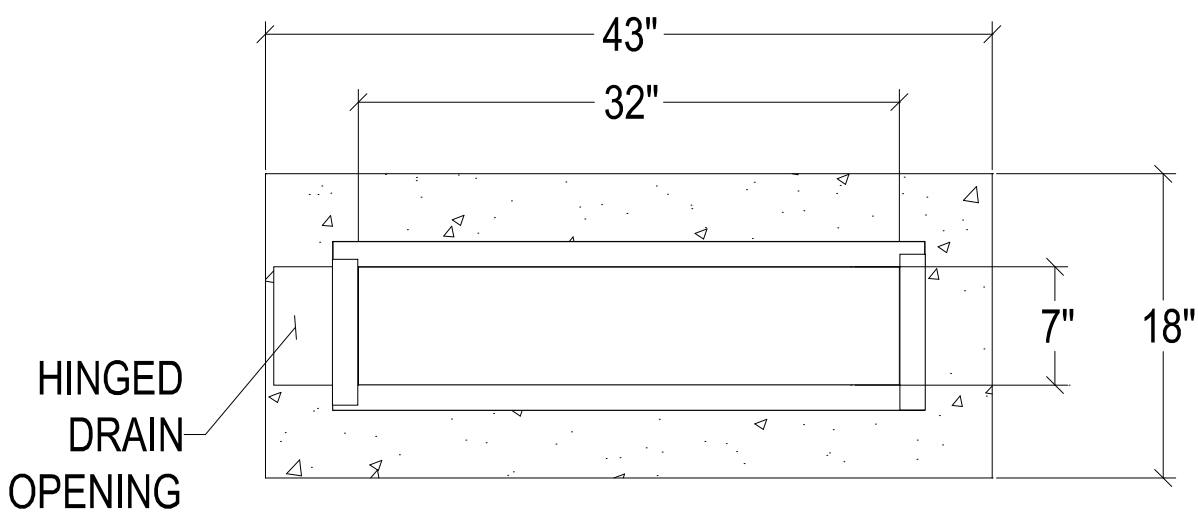
ELEVATION VIEW



FN: 100S-AL

Sheet 1 of 1

PLAN VIEW



HINGED
DRAIN
OPENING

6. HYDROCOWL MODEL 100S-AL ENCLOSURE.

7. Enclosure inside dimensions:
7"W x 32"L x 22"H

8. Concrete pad is 18"W x 43"L.

9. BFP -

1. Drawing NOT TO SCALE.

2. BFP dimensions furnished by

3. All dimensions are in inches.

4. Wall and insulation thickness is 1-1/2".

5. Roof and insulation thickness is 3".