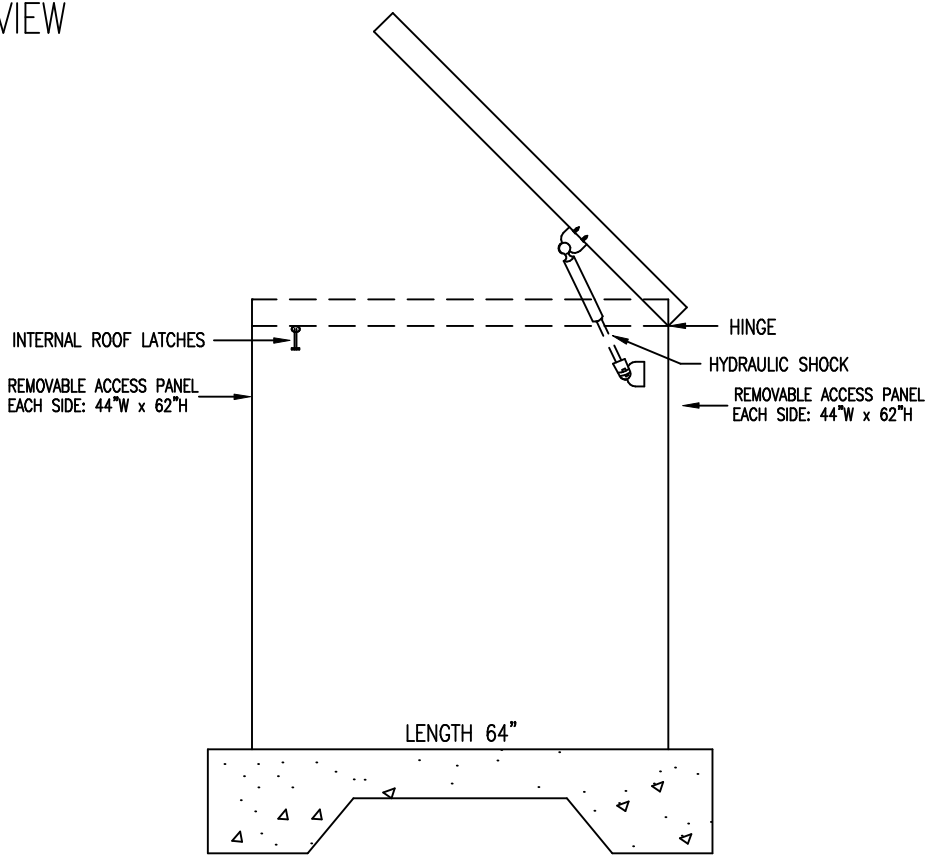
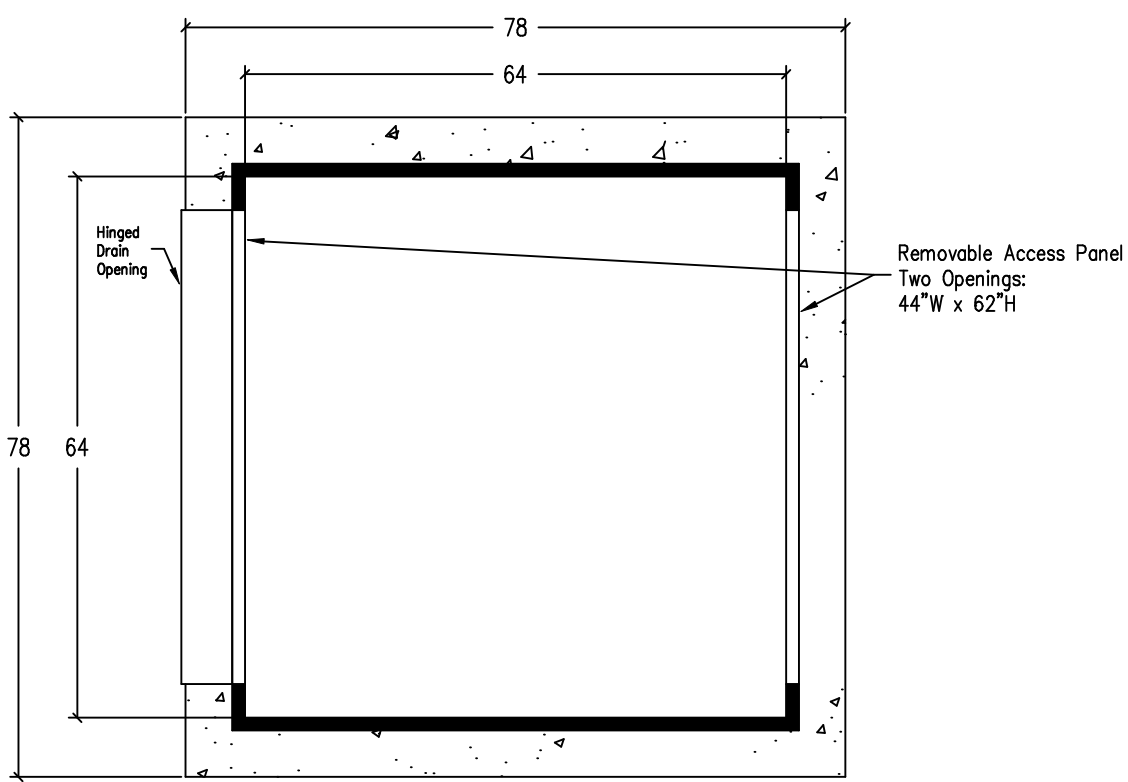


ELEVATION VIEW



PLAN VIEW



FN: 1000TLU880
Sheet 1 of 1

- 6. HYDROCOWL MODEL 1000TLU880M-AL ENCLOSURE.
- 7. Enclosure inside dimensions:
64"W x 64"L x 62"H
- 8. Concrete pad is 78"W x 78"L
- 9. BFP -

- 1. Drawing NOT TO SCALE.
- 2. BFP dimensions furnished by
- 3. All dimensions are in inches.
- 4. Wall and insulation thickness is 1-1/2".
- 5. Roof and insulation thickness is 3".