

ENCLOSURE MODEL: 1000LU880-AL

HYDROCOWL, INC.

JOB:

213 CRUTCHFIELD AVENUE, NASHVILLE, TN 37210

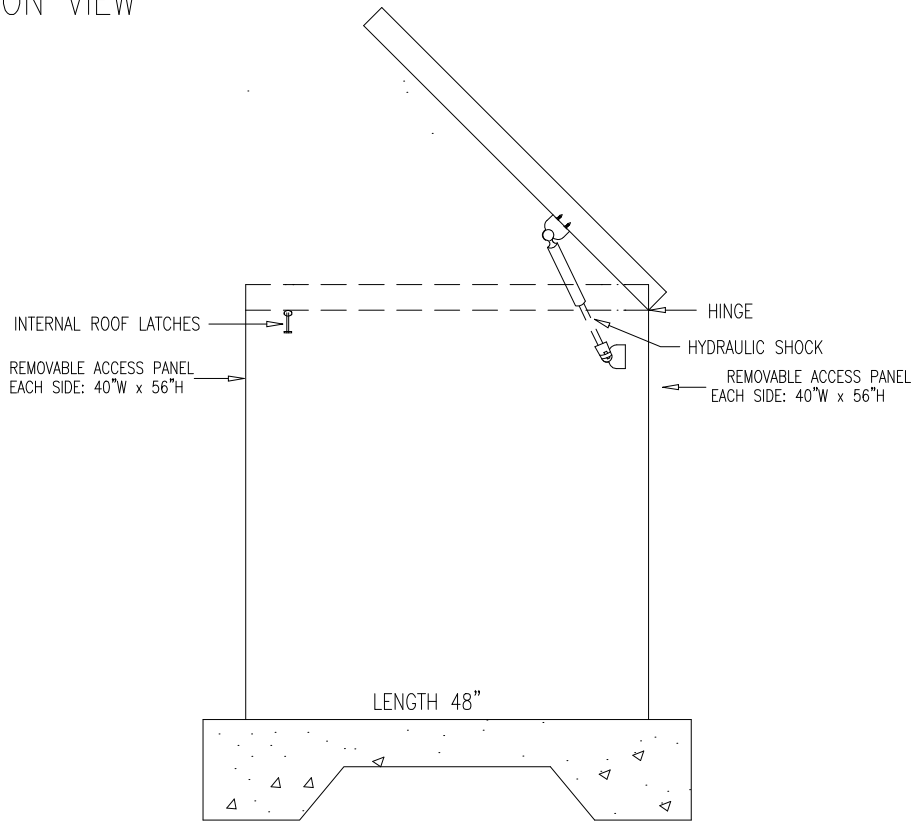
Drawn By: MW

Scale: NONE

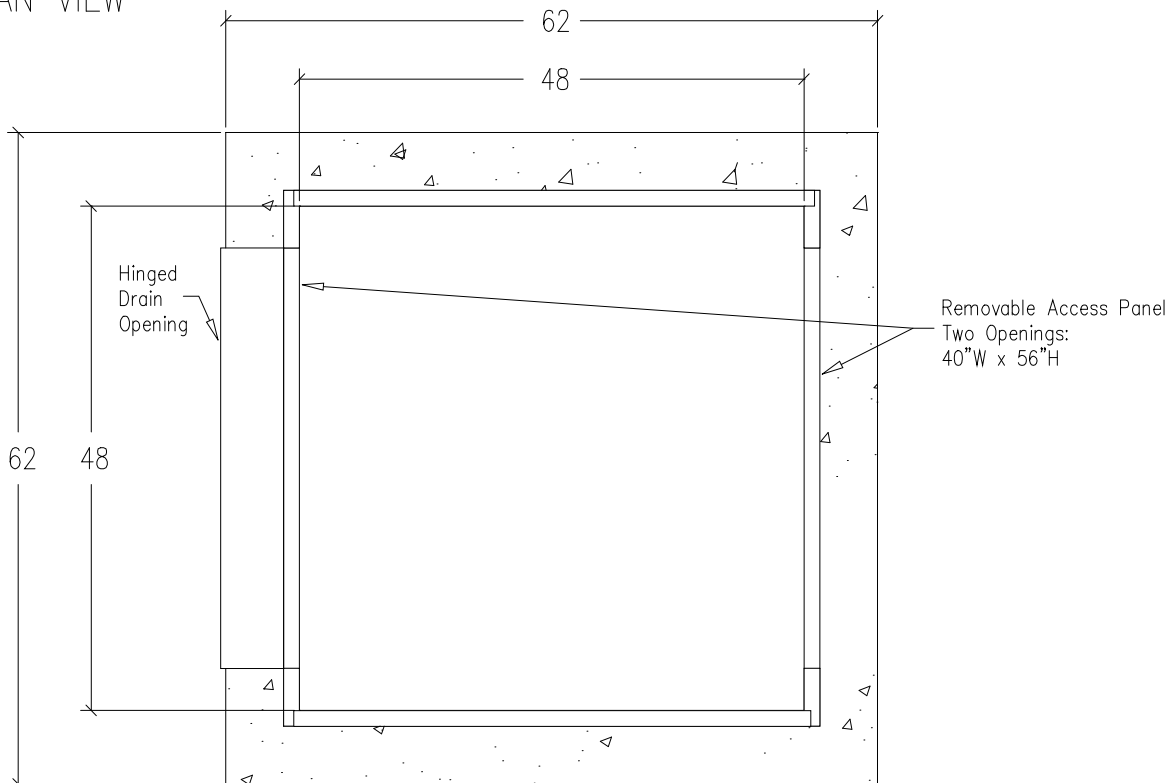
Date:

615-259-4495, 800-245-6333, 615-259-4481 FAX

ELEVATION VIEW



PLAN VIEW



FN:1000LU880

Sheet 1 of 1

6. HYDROCOWL MODEL 1000LU880-AL ENCLOSURE.

7. Enclosure inside dimensions:  
48"W x 48"L x 56"H

8. Concrete pad is 62"W x 62'L

9. BFP -

1. Drawing NOT TO SCALE.

2. BFP dimensions furnished by

3. All dimensions are in inches.

4. Wall and insulation thickness is 1-1/2".

5. Roof and insulation thickness is 3".